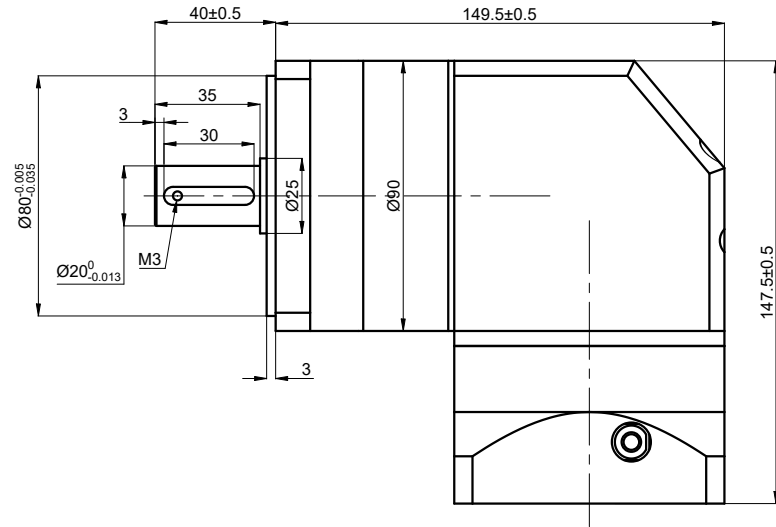
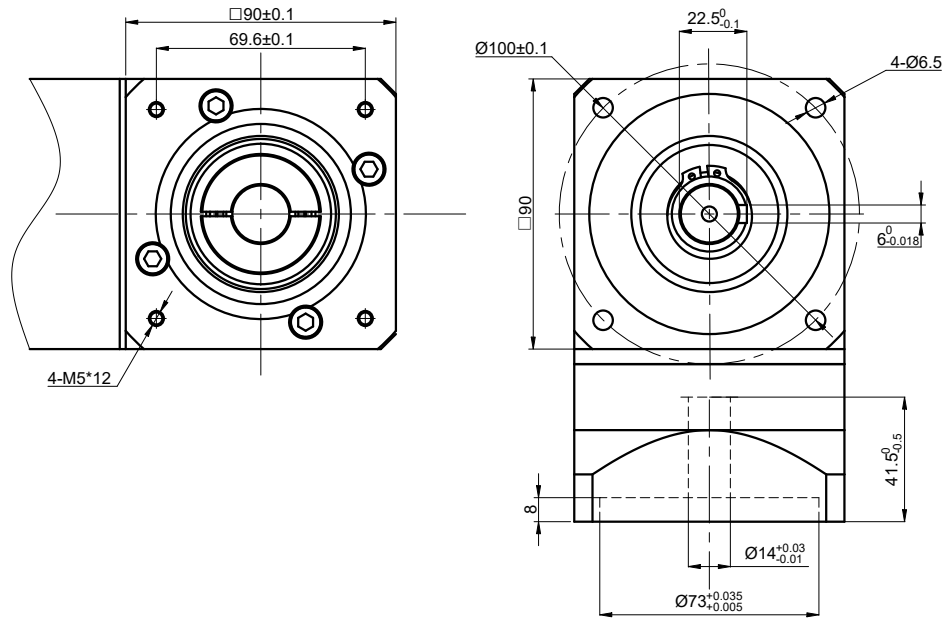
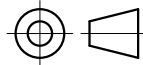


DWG NO. -



SPECIFICATION	VALUE
GEAR RATIO	10
EFFICIENCY	96.00%
BACKLASH@NO-LOAD(arcmin)	≤ 10
MAX.PERMISSIBLE TORQUE(Nm)[lb-in]	39.00[345.18]
MOMENT PERMISSIBLE TORQUE(Nm)[lb-in]	78.00[690.36]
SHAFT MAXIMUM AXIAL LOAD(N)	800
SHAFT MAXIMUM RADIAL LOAD(N)	1000
GEARBOX MATCHING MOTOR'S INPUT SHAFT LENGTH (mm)	22~41
RATED INPUT SPEED(RPM)	3000
MAX. INPUT SPEED(RPM)	6000
NOISE(dB)	≤ 55
WATERPROOF RATING	IP54
LIFE(h)	20000
WORKING TEMPERATURE	$-20^{\circ}\text{C} \sim 150^{\circ}\text{C}$ [$-4^{\circ}\text{F} \sim 302^{\circ}\text{F}$]

OSMTEC®
Stepper Motor Specialists



mm			
UNITS	DRN	LJ	1.12.2026
2:5	APVD	MYX	1.12.2026
SCALE	SIGNATURE	DATE	

PLANETARY GEARBOX

RYG34-G10