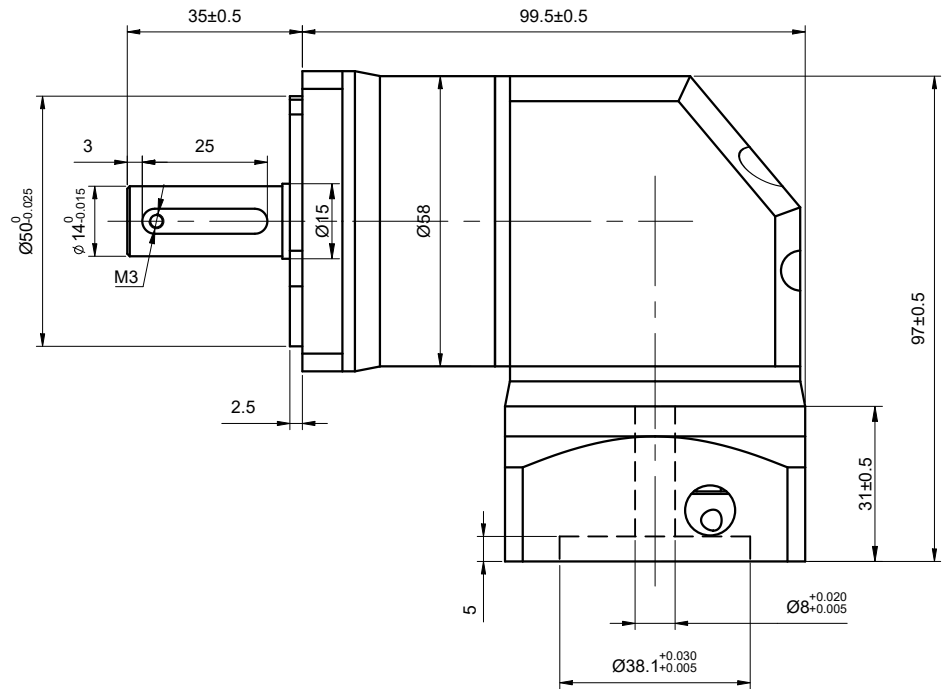
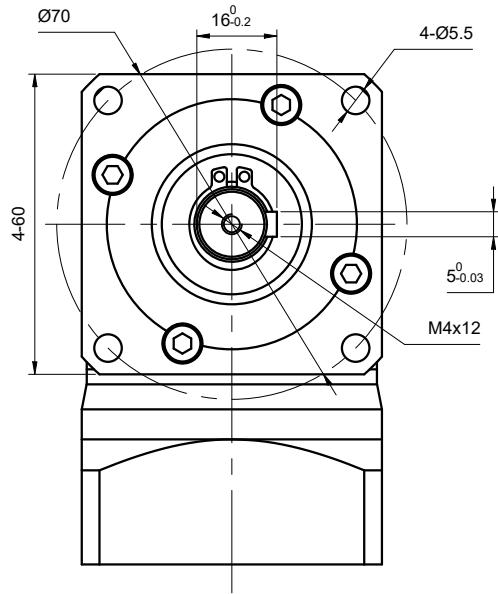
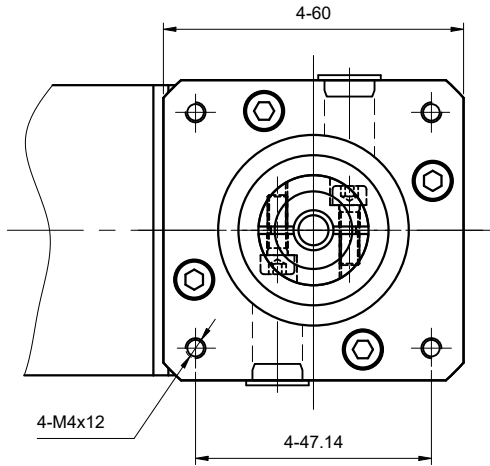
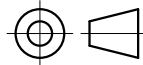


DWG NO. -



| SPECIFICATION | VALUE |
|--|-------------------------|
| GEAR RATIO | 5 |
| EFFICIENCY | 96.00% |
| BACKLASH@NO-LOAD(arcmin) | <=10 |
| MAX.PERMISSIBLE TORQUE(Nm)[lb-in] | 28.00[247.82] |
| MOMENT PERMISSIBLE TORQUE(Nm)[lb-in] | 56.00[495.64] |
| SHAFT MAXIMUM AXIAL LOAD(N) | 230 |
| SHAFT MAXIMUM RADIAL LOAD(N) | 450 |
| GEARBOX MATCHING MOTOR'S INPUT SHAFT LENGTH (mm) | 12~31 |
| RATED INPUT SPEED(RPM) | 3000 |
| MAX. INPUT SPEED(RPM) | 6000 |
| NOISE(dB) | <=55 |
| WATERPROOF RATING | IP54 |
| LIFE(h) | 20000 |
| WORKING TEMPERATURE | -20°C~150°C[-4°F~302°F] |

OSMTEC®
Stepper Motor Specialists



| mm | | | |
|-------|-----------|------|-----------|
| UNITS | DRN | LJ | 1.12.2026 |
| 2:3 | APVD | MYX | 1.12.2026 |
| SCALE | SIGNATURE | DATE | |

PLANETARY GEARBOX

RYG23-G5-D8