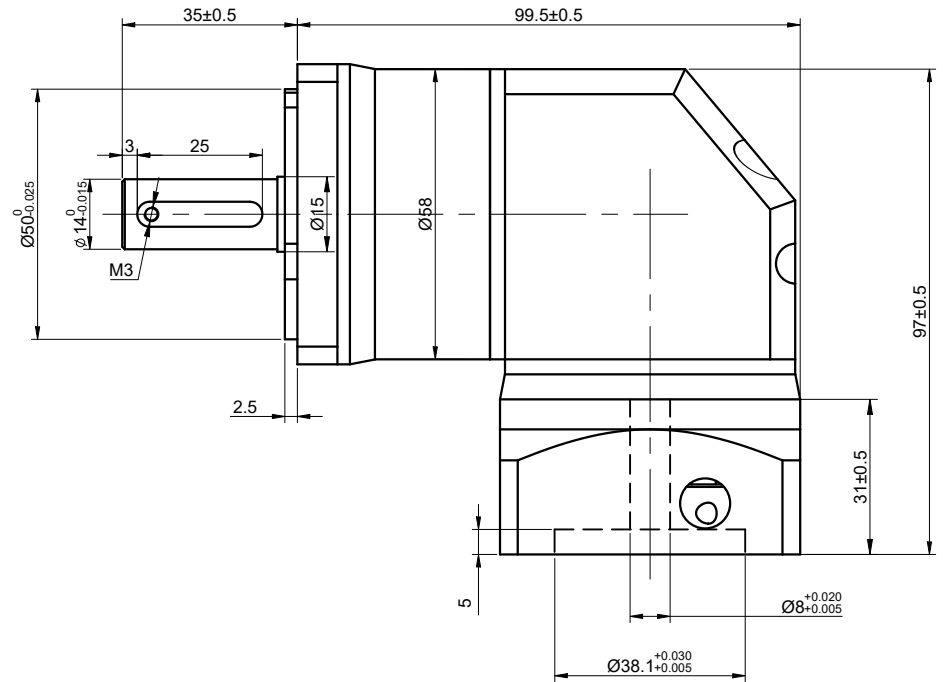
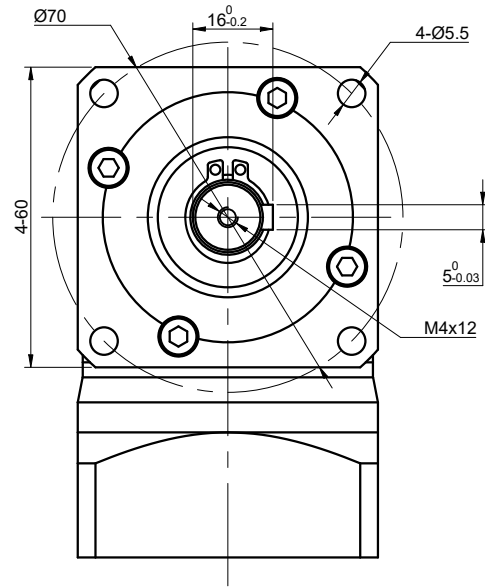
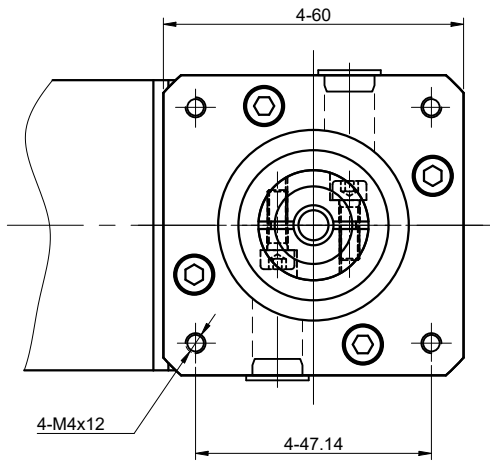
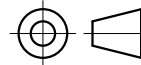


DWG NO. -



SPECIFICATION	VALUE
GEAR RATIO	10
EFFICIENCY	96.00%
BACKLASH@NO-LOAD(arcmin)	<=10
MAX.PERMISSIBLE TORQUE(Nm)[lb-in]	10.00[88.51]
MOMENT PERMISSIBLE TORQUE(Nm)[lb-in]	20.00[177.01]
SHAFT MAXIMUM AXIAL LOAD(N)	230
SHAFT MAXIMUM RADIAL LOAD(N)	450
GEARBOX MATCHING MOTOR'S INPUT SHAFT LENGTH (mm)	12~31
RATED INPUT SPEED(RPM)	3000
MAX. INPUT SPEED(RPM)	6000
NOISE(dB)	<=55
WATERPROOF RATING	IP54
LIFE(h)	20000
WORKING TEMPERATURE	-20°C~150°C[-4°F~302°F]

OSMTEC®
Stepper Motor Specialists



mm			
UNITS	DRN	LJ	1.12.2026
2:3	APVD	MYX	1.12.2026
SCALE	SIGNATURE	DATE	

PLANETARY GEARBOX

RYG23-G10-D8