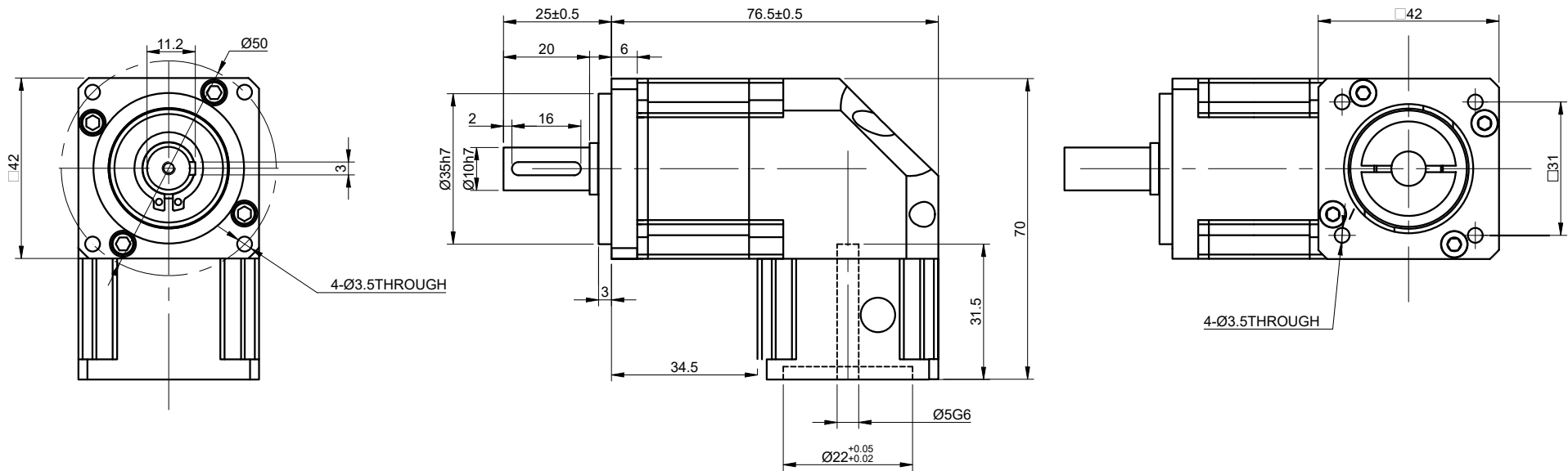
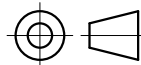


DWG NO. -



SPECIFICATION	VALUE
GEAR RATIO	50
EFFICIENCY	94%
BACKLASH@NO-LOAD(arcmin)	<=20
MAX.PERMISSIBLE TORQUE(Nm)[lb-in]	10.00[88.5]
MOMENT PERMISSIBLE TORQUE(Nm)[lb-in]	20.00[177.1]
SHAFT MAXIMUM AXIAL LOAD(N)	80
SHAFT MAXIMUM RADIAL LOAD(N)	260
GEARBOX MATCHING MOTOR'S INPUT SHAFT LENGTH (mm)	15~30
RATED INPUT SPEED(RPM)	3000
MAX. INPUT SPEED(RPM)	6000
NOISE(dB)	<=60
WATERPROOF RATING	IP54
LIFE(h)	20000
WORKING TEMPERATURE	-10°C~90°C[14°F~212°F]

OSMTEC®
Stepper Motor Specialists



mm			
UNITS	DRN	LJ	1.12.2026
2:3	APVD	MYX	1.12.2026
SCALE	SIGNATURE	DATE	

PLANETARY GEARBOX

RYG17-G50