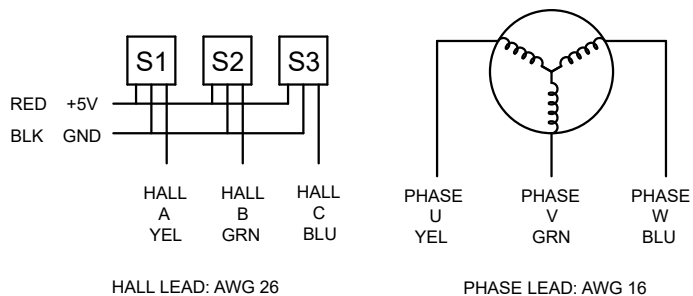
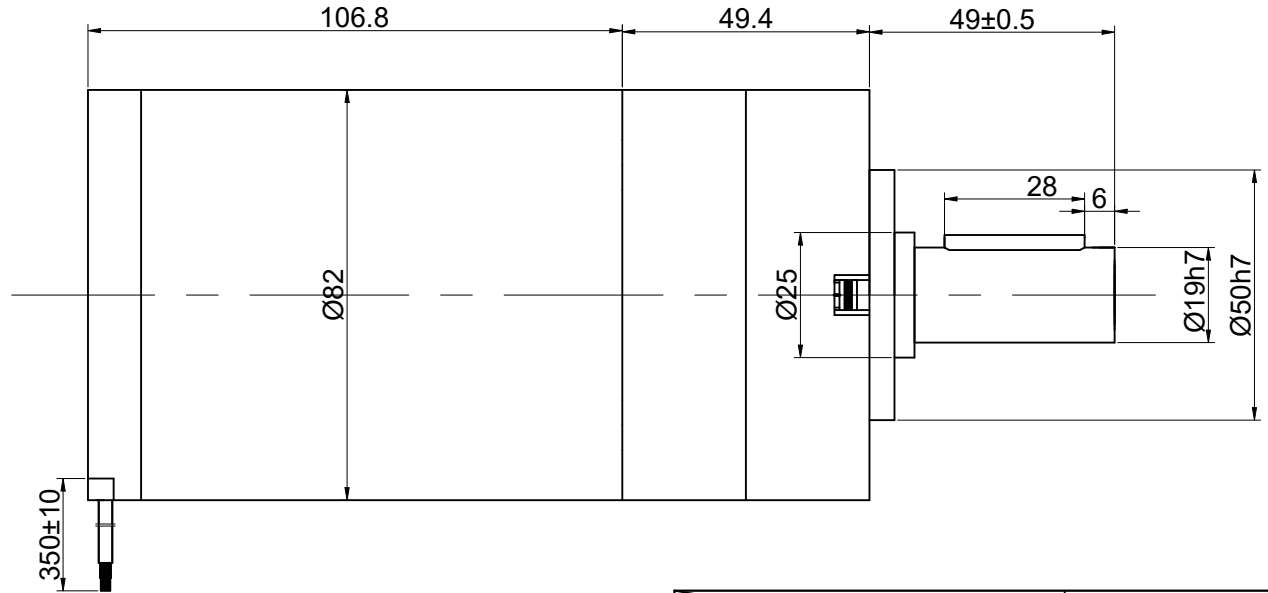
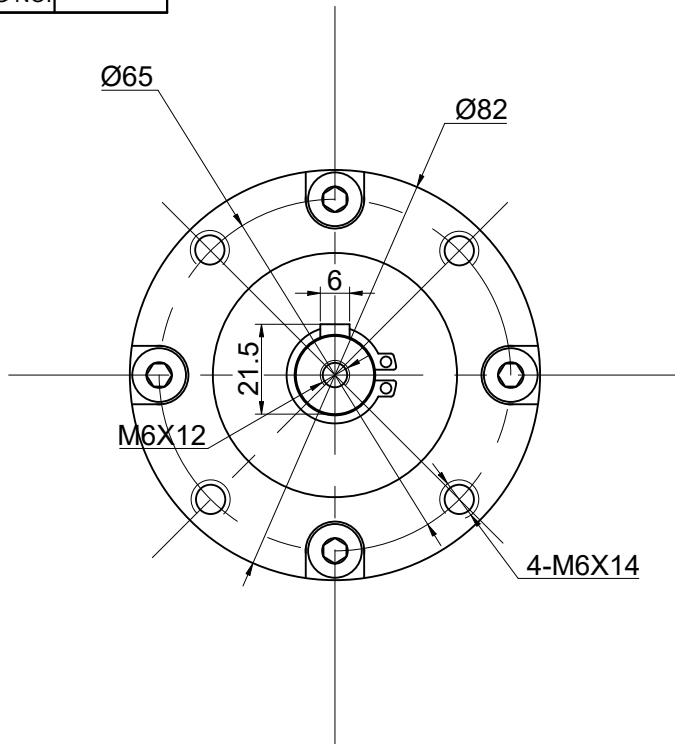
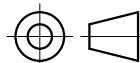


DWG NO. -



SPECIFICATION	CONNECTION	BIPOLAR
GEAR RATIO		5.36
NO. of PHASES		3
NO. of POLES		10
RATED VOLTAGE(V)		24
RATED TORQUE(N.m)[lb-in]		3.1[27.44]
RATED POWER(W)		200
RATED SPEED(RPM)		560
RATED CURRENT(A)		10.5
RATED SPEED w/o GEARBOX(RPM)		4200±10%
WEIGHT(kg)		3.42
SENSOR		HALL
AMBIENT TEMPERATURE		-10°C~50°C[14°F~122°F]
INSULATION CLASS		B 130°C[266°F]
TEMPERATURE RISE		MAX.80°C

UNIT mm	
GB/T 1804-M EQV.ISO 2768-1 CLASS M:	
<=6	±0.1
>6~30	±0.2
>30~120	±0.3
>120~400	±0.5



mm

UNITS	DRN	LJ	1.14.2026
2:3	APVD	MYX	1.14.2026
SCALE	SIGNATURE		DATE

OSMTEC®
Stepper Motor Specialists

GEARED BLDC MOTOR

M82B200-24P-30S/G82-5.36S1