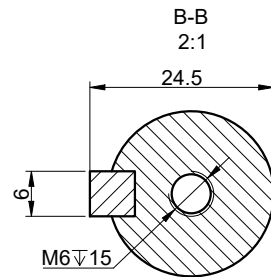
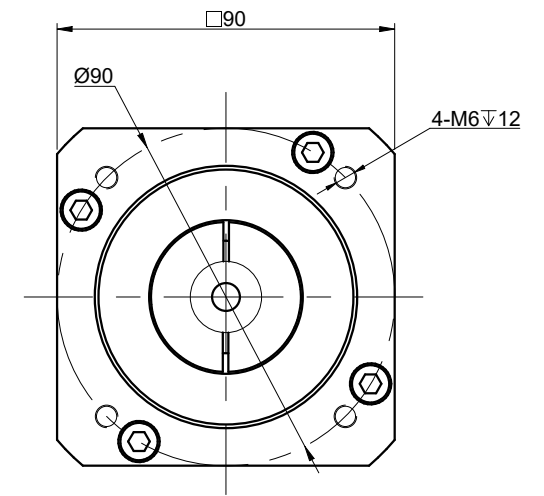
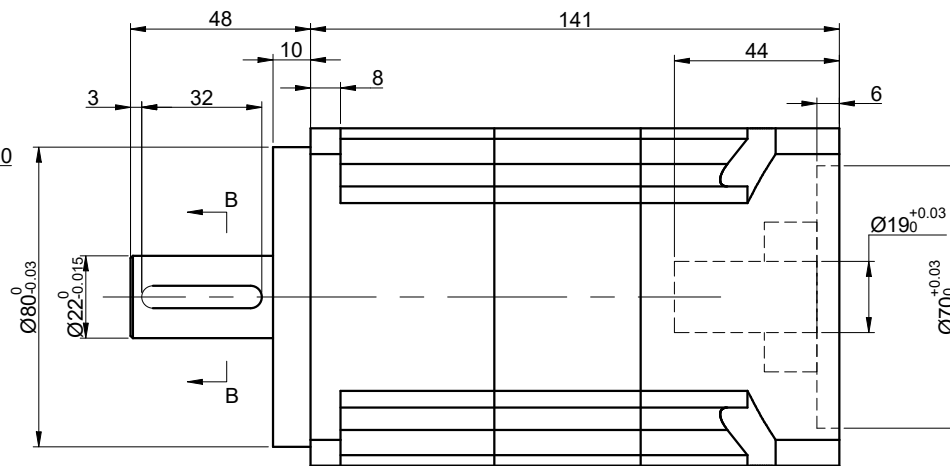
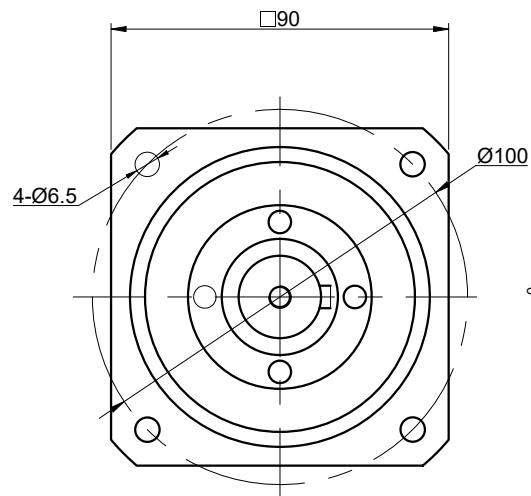
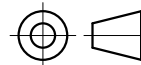


DWG NO. -



| SPECIFICATION | VALUE |
|--|-------------------------|
| GEAR RATIO | 20 |
| EFFICIENCY | 97% |
| BACKLASH@NO-LOAD(arcmin) | <=5 |
| MAX.PERMISSIBLE TORQUE(Nm)[lb-in] | 112.00[991.28] |
| MOMENT PERMISSIBLE TORQUE(Nm)[lb-in] | 224.00[1982.57] |
| SHAFT MAXIMUM AXIAL LOAD(N) | 1300 |
| SHAFT MAXIMUM RADIAL LOAD(N) | 3250 |
| GEARBOX MATCHING MOTOR'S INPUT SHAFT LENGTH (mm) | MAX 44 |
| RATED INPUT SPEED(RPM) | 3000 |
| MAX. INPUT SPEED(RPM) | 6000 |
| NOISE(dB) | 60 |
| WATERPROOF RATING | IP65 |
| LIFE(h) | 20000 |
| WORKING TEMPERATURE | -20°C~150°C[-4°F~302°F] |

OSMTEC[®]
Stepper Motor Specialists



| | | | |
|-------|-----------|------|-----------|
| mm | | | |
| UNITS | DRN | LJ | 1.13.2026 |
| 1:2 | APVD | MYX | 1.13.2026 |
| SCALE | SIGNATURE | DATE | |

PLANETARY GEARBOX

HTG90-G20