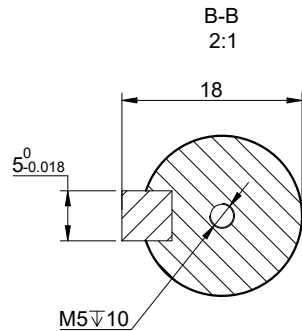
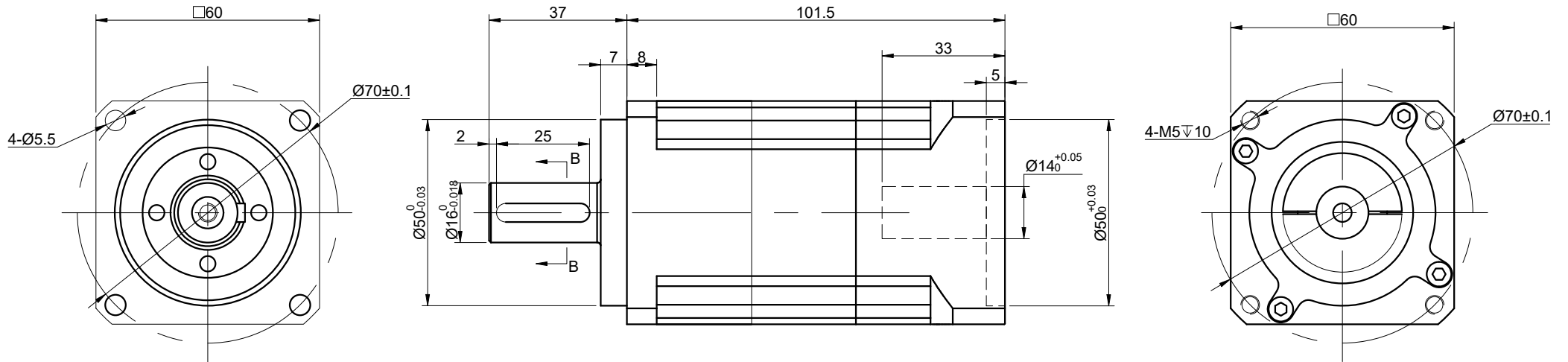
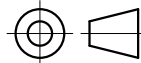


DWG NO. -



SPECIFICATION	VALUE
GEAR RATIO	100
EFFICIENCY	94%
BACKLASH@NO-LOAD(arcmin)	<=5
MAX.PERMISSIBLE TORQUE(Nm)[lb-in]	22.00[194.72]
MOMENT PERMISSIBLE TORQUE(Nm)[lb-in]	44.00[389.43]
SHAFT MAXIMUM AXIAL LOAD(N)	630
SHAFT MAXIMUM RADIAL LOAD(N)	1530
GEARBOX MATCHING MOTOR'S INPUT SHAFT LENGTH (mm)	MAX 33
RATED INPUT SPEED(RPM)	3000
MAX. INPUT SPEED(RPM)	6000
NOISE(dB)	<=60
WATERPROOF RATING	IP65
LIFE(h)	20000
WORKING TEMPERATURE	-20°C~150°C[-4°F~302°F]

OSMTEC®
Stepper Motor Specialists



mm			
UNITS	DRN	LJ	1.13.2026
2:3	APVD	MYX	1.13.2026
SCALE	SIGNATURE	DATE	

PLANETARY GEARBOX

HTG60-G100