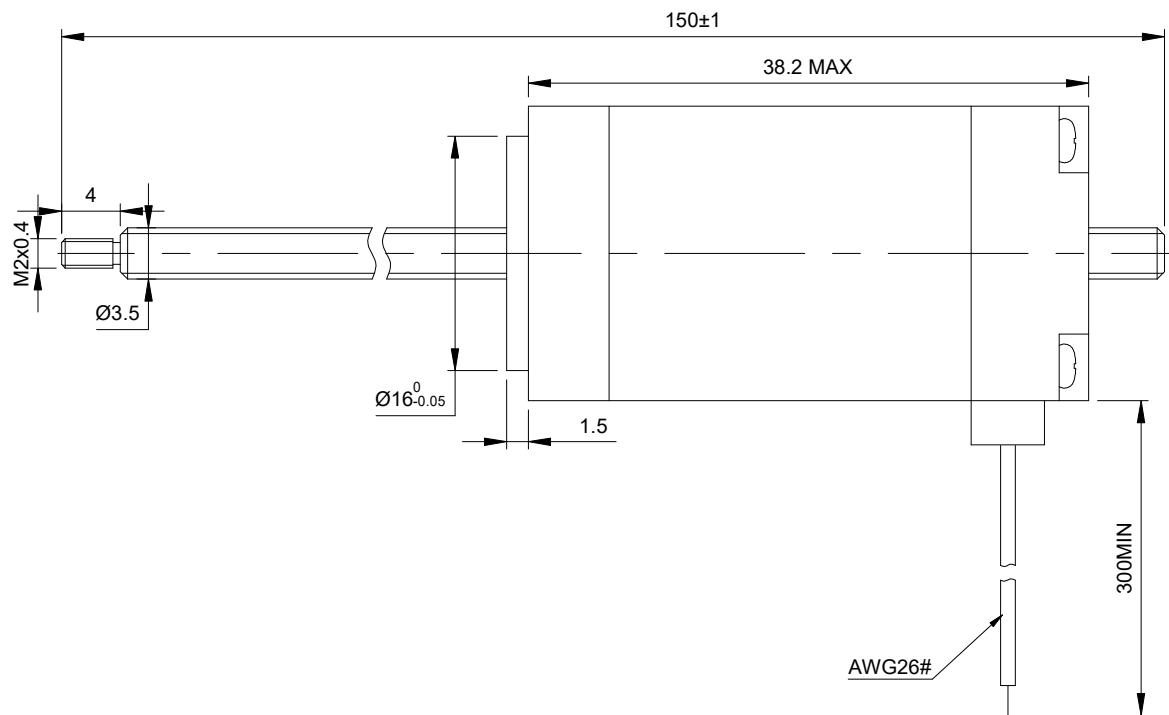
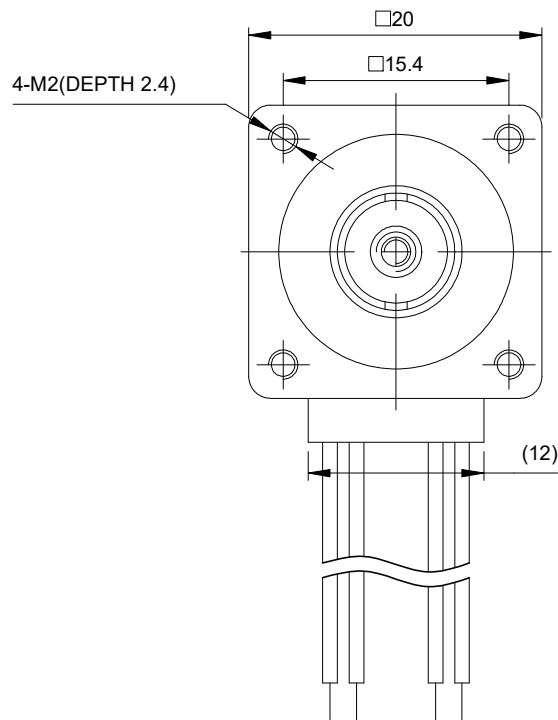


DWG NO. -

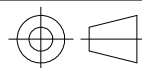


FULL STEP 2 PHASE-Ex.,WHEN FACING MOUNTING END (X)

STEP	A+	B+	A-	B-		CCW
1	+	+	-	-	↓ ↑ CW	↑
2	-	+	+	-		
3	-	-	+	+		
4	+	-	-	+		

UNIT mm  
GB/T 1804-M EQV.ISO  
2768-1 CLASS M:  
<=6 ±0.1  
>6~30 ±0.2  
>30~120 ±0.3  
>120~400 ±0.5

**OSMTEC**<sup>®</sup>  
Stepper Motor Specialists



mm			
UNITS	DRN	LDJ	1.15.2026
2:1	APVD	ZPJ	1.20.2026
SCALE	SIGNATURE		DATE

WINDING			CONNECTION		BIPOLAR
			SPECIFICATION	BIPOLAR	
			AMPS/PHASE	0.50	
			RESISTANCE/PHASE(Ohms)@25°C	12.50±10%	
			INDUCTANCE/PHASE(mH)@1KHz	4.50±20%	
			HOLDING TORQUE(Nm)[lb-in]	0.02[0.18]	
			STEP ANGLE(°)	1.80	
STEP ACCURACY(NON-ACCUM)	±5.00%				
PIN NO	BIPOLAR	LEADS	LEAD(mm)	1	
1	A+	RED	LINEAR TRAVEL/STEP(mm)	0.005	
2	A-	RED/WHT	AMBIENT TEMPERATURE	-10°C~50°C[14°F~122°F]	
3	B+	GRN	INSULATION CLASS	B 130°C[266°F]	
4	B-	GRN/WHT	TEMPERATURE RISE	MAX.80°C	

**LINEAR STEPPER MOTOR**

**8N15S0504SC5-150RS**