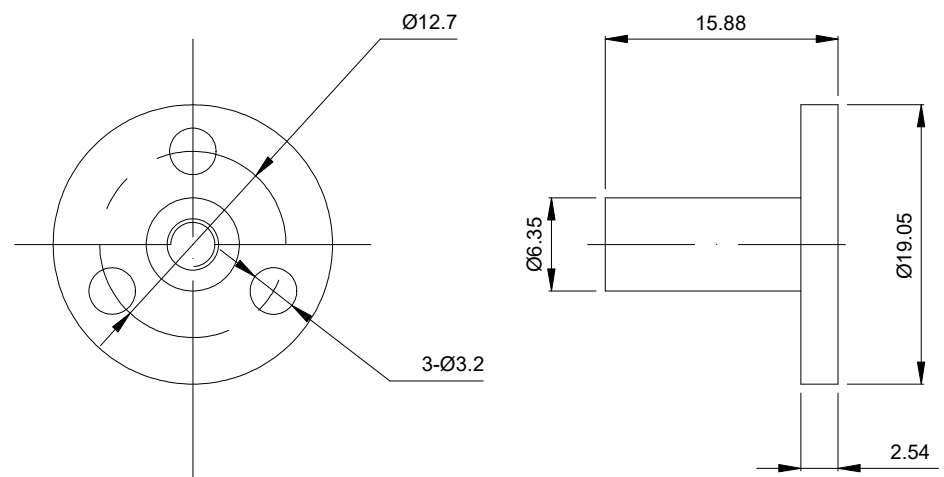
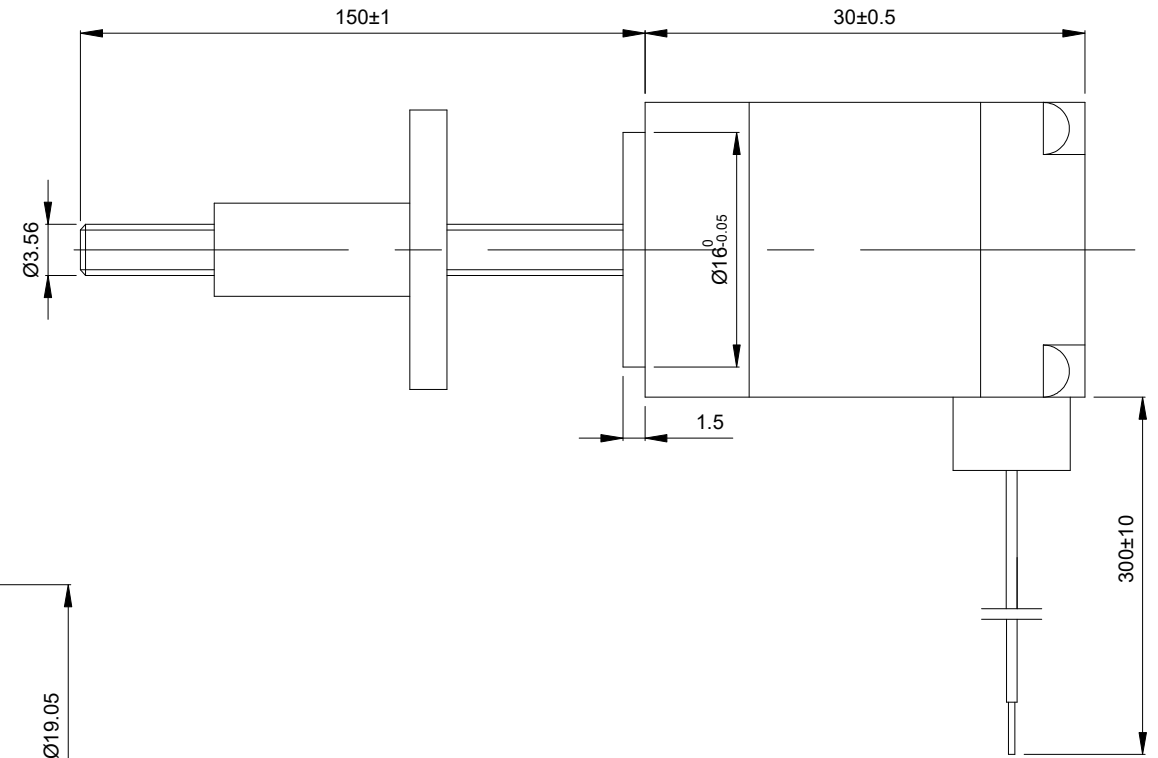
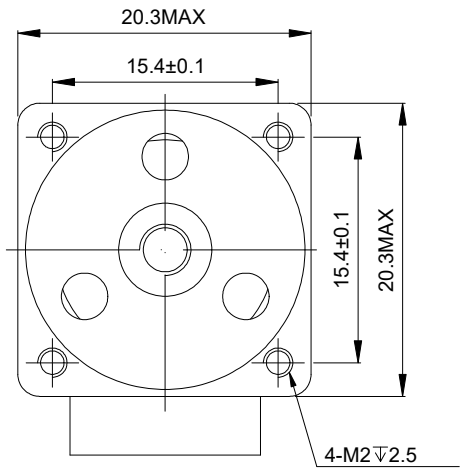


DWG NO. -



FULL STEP 2 PHASE-Ex.,WHEN FACING MOUNTING END (X)

STEP	A+	B+	A-	B-		CCW
1	+	+	-	-	↓ ↑ CW	↑
2	-	+	+	-		
3	-	-	+	+		
4	+	-	-	+		

UNIT mm
 GB/T 1804-M EQV.ISO
 2768-1 CLASS M:
 <6 ±0.1
 >6~30 ±0.2
 >30~120 ±0.3
 >120~400 ±0.5

WINDING			CONNECTION		BIPOLAR
			SPECIFICATION		
			AMPS/PHASE		0.24
			RESISTANCE/PHASE(Ohms)@25°C		20.40±10%
			INDUCTANCE/PHASE(mH)@1KHz		39.00±20%
			MAXIMUM THRUST(N)		0.015[0.13]
			STEP ANGLE(°)		1.80
STEP ACCURACY(NON-ACCUM)		±5.00%			
PIN NO	BIPOLAR	LEADS	LEAD(mm)		0.6096
1	A+	RED	LINEAR TRAVEL/STEP(mm)		0.003048
2	A-	RED/WHT	AMBIENT TEMPERATURE		-10°C~50°C[14°F~122°F]
3	B+	GRN	INSULATION CLASS		B 130°C[266°F]
4	B-	GRN/WHT	TEMPERATURE RISE		MAX.80°C

OSMTEC[®]
 Stepper Motor Specialists

mm			
UNITS	DRN	LDJ	1.16.2026
SCALE	APVD	ZPJ	1.20.2026
	SIGNATURE		DATE

LINEAR STEPPER MOTOR
 8E11S0244CC4-150RS