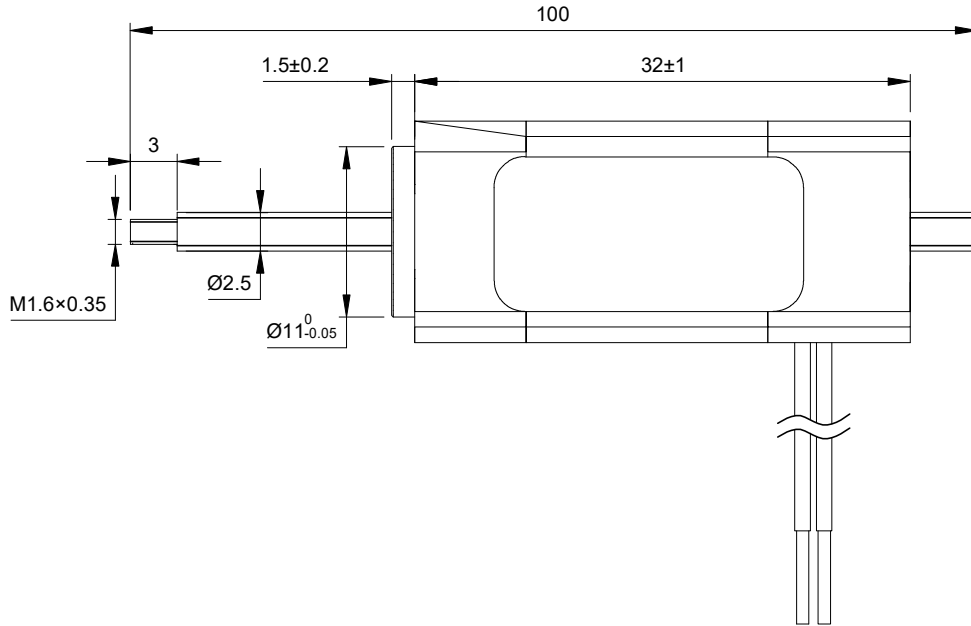
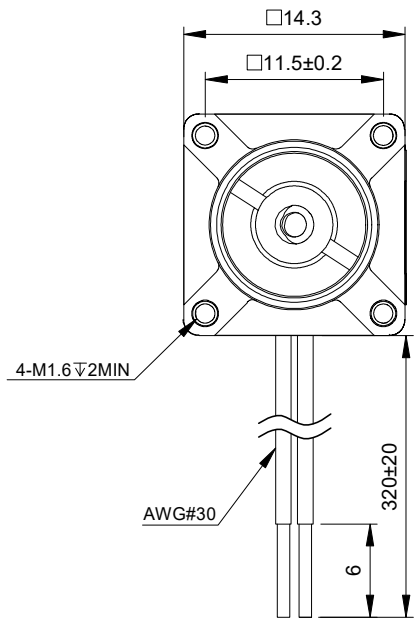


DWG NO. -

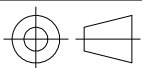


FULL STEP 2 PHASE-Ex., WHEN FACING MOUNTING END (X)

STEP	A+	B+	A-	B-		CCW
1	+	+	-	-	↓ ↑ CW	↑
2	-	+	+	-		
3	-	-	+	+		
4	+	-	-	+		

UNIT mm
GB/T 1804-M EQV.ISO
2768-1 CLASS M:
<=6 ±0.1
>6~30 ±0.2
>30~120 ±0.3
>120~400 ±0.5

OSMTEC[®]
Stepper Motor Specialists



mm			
UNITS	DRN	LDJ	1.15.2026
2:1	APVD	ZPJ	1.20.2026
SCALE	SIGNATURE		DATE

WINDING			CONNECTION	
			SPECIFICATION	BIPOLAR
			AMPS/PHASE	0.30
			RESISTANCE/PHASE(Ohms)@25°C	22.00±10%
			INDUCTANCE/PHASE(mH)@1KHz	4.50±20%
			MAXIMUM THRUST(N)	15
			STEP ANGLE(°)	1.80
			STEP ACCURACY(NON-ACCUM)	±5.00%
PIN NO	BIPOLAR	LEADS	LEAD(mm)	1
1	A+	BLK	LINEAR TRAVEL/STEP(mm)	0.005
2	A-	GRN	AMBIENT TEMPERATURE	-10°C~50°C[14°F~122°F]
3	B+	RED	INSULATION CLASS	B 130°C[266°F]
4	B-	BLU	TEMPERATURE RISE	MAX.80°C

LINEAR STEPPER MOTOR

6N13S0304SR7-100RS