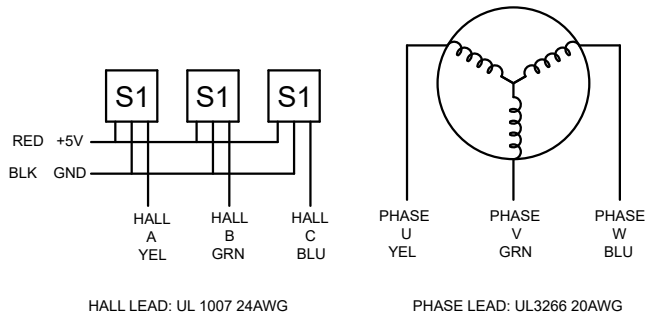
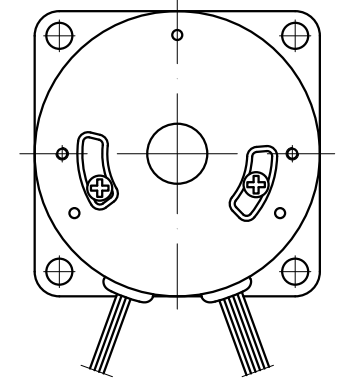
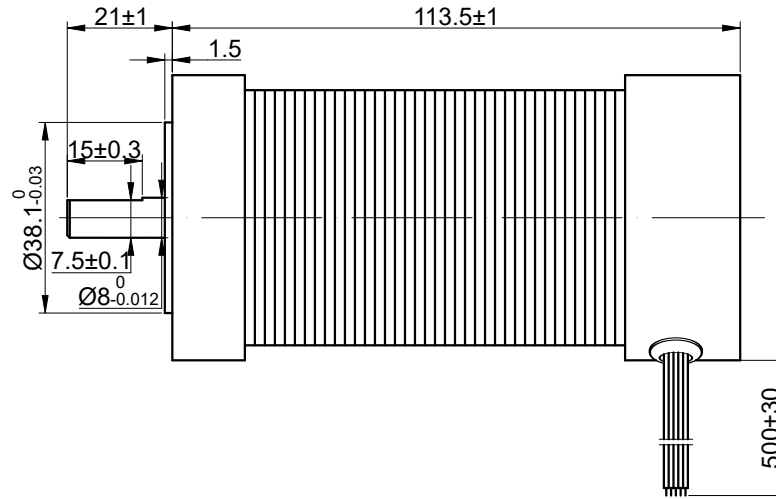
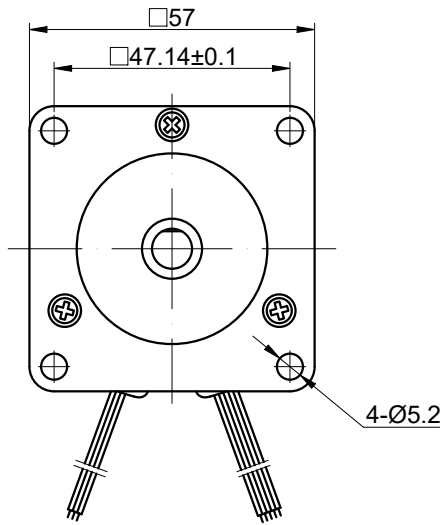
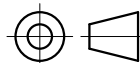


DWG NO. -



SPECIFICATION	VALUE
NO. of PHASES	3
NO. of POLES	4
RESISTANCE/PHASE(Ohms)@25°C	1.18±10%
INDUCTANCE/PHASE(mH)@1KHz	3.04±20%
RATED VOLTAGE(V)	48
RATED TORQUE(N.m)[lb-in]	0.57[5.04]
RATED POWER(W)	179
RATED SPEED(RPM)	3000±10%
RATED CURRENT(A)	5.10
NO LOAD SPEED(RPM)	4100±10%
WEIGHT(kg)	—
BACK EMF(V/krpm)	8.30±5%
SENSOR	HALL
AMBIENT TEMPERATURE	-10°C~50°C[14°F~122°F]
INSULATION CLASS	B 130°C[266°F]
TEMPERATURE RISE	MAX.80°C

UNIT mm  
 GB/T 1804-M EQV.ISO 2768-1 CLASS M:  
 ≤6 ±0.1  
 >6~30 ±0.2  
 >30~120 ±0.3  
 >120~400 ±0.5



mm			
UNITS	DRN	MYX	1.15.2026
1:1	APVD	LDJ	1.15.2026
SCALE	SIGNATURE	DATE	

**BRUSHLESS DC MOTOR**

**57BYB114-48-01**

**OSMTEC**®  
 Stepper Motor Specialists