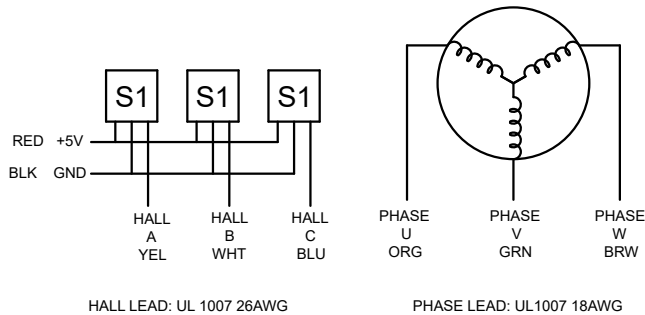
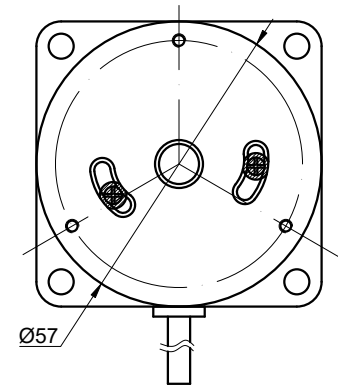
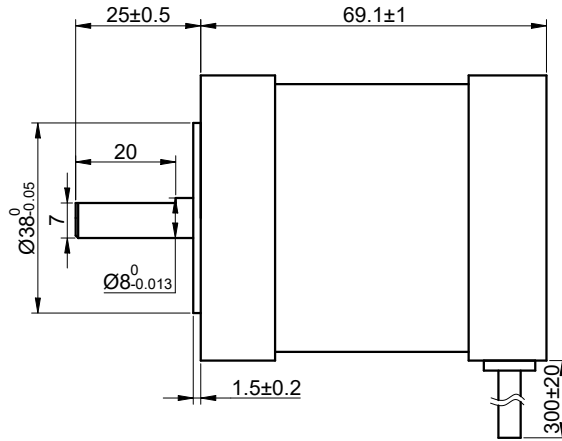
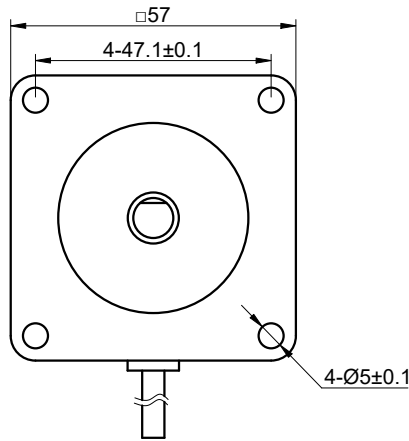


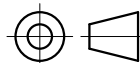
DWG NO. -



CONNECTION	BIPOLAR
SPECIFICATION	
NO. of PHASES	3
NO. of POLES	4
RESISTANCE/PHASE(Ohms)@25°C	0.14±10%
INDUCTANCE/PHASE(mH)@1KHz	0.50±20%
RATED VOLTAGE(V)	24
RATED TORQUE(mN.m)	470
RATED POWER(W)	172
RATED SPEED(RPM)	3500±10%
RATED CURRENT(A)	10.4±10%
HALL LEAD STYLE	UL 1007 AWG26
PHASE LEAD STYLE	UL 1007 AWG18
BACK EMF(V/krpm)	4.64
AMBIENT TEMPERATURE	-10°C~50°C[14°F~122°F]
INSULATION CLASS	B 130°C[266°F]
TEMPERATURE RISE	MAX.80°C

UNIT mm
 GB/T 1804-M EQV.ISO 2768-1 CLASS M:

<=6	±0.1
>6~30	±0.2
>30~120	±0.3
>120~400	±0.5



mm

UNITS

1:1

SCALE

DRN

APVD

SIGNATURE

MYX

LDJ

DATE

1.14.2026

1.14.2026

DATE

OSMTEC®
 Stepper Motor Specialists

BRUSHLESS DC MOTOR

57BLR70-24-02