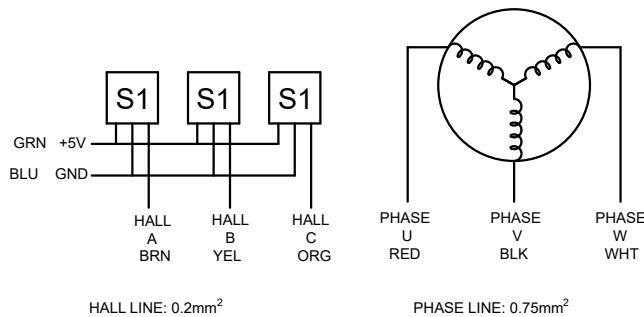
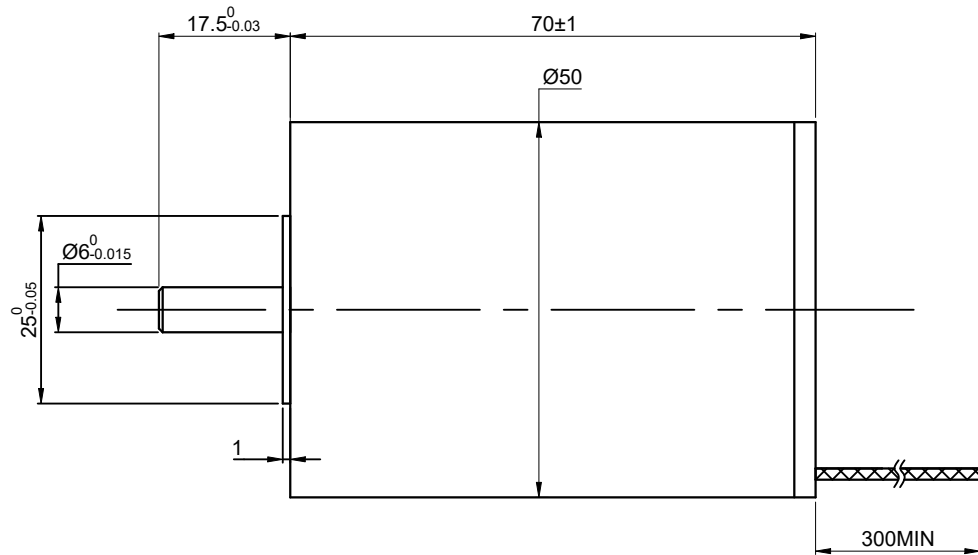
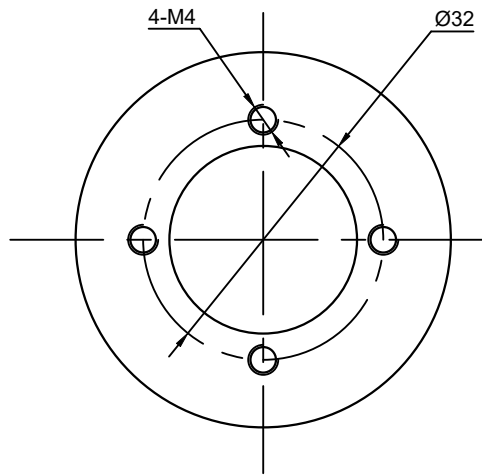
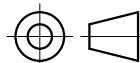


DWG NO. -



SPECIFICATION	VALUE
RATED VOLTAGE(V)	28
TERMINAL RESISTANCE(Ohms)	0.64
TERMINAL INDUCTANCE(mH)	0.18
NO LOAD SPEED(RPM)	5300
NO LOAD CURRENT(A)	0.25
RATED SPEED(RPM)	3500
RATED CURRENT(A)	6.06
RATED TORQUE(mNm)	304
RATED POWER(W)	111
THE GREATEST POWER OUTPUT(W)	302.76
EFFICIENCY(%)	85.45
TORQUE CONSTANT(mNm/A)	50.16
STALL TORQUE (mNm)	2182.00
BACK-EMF CONSTANT(mV/RPM)	5.25
SPEED CONSTANT(RPM/V)	190.37
FRICTION TORQUE(mNm)	12.54
CURRENT CONSTANT(A/mNm)	0.02

UNIT mm
GB/T 1804-M EQV.ISO 2768-1 CLASS M:
 <=6 ±0.1
 >6~30 ±0.2
 >30~120 ±0.3
 >120~400 ±0.5



mm

UNITS	DRN	MYX	1.13.2026
3:2	APVD	LDJ	1.13.2026
SCALE	SIGNATURE	DATE	

BRUSHLESS DC MOTOR

50CL70-28-P2-3500

OSMTEC®
Stepper Motor Specialists