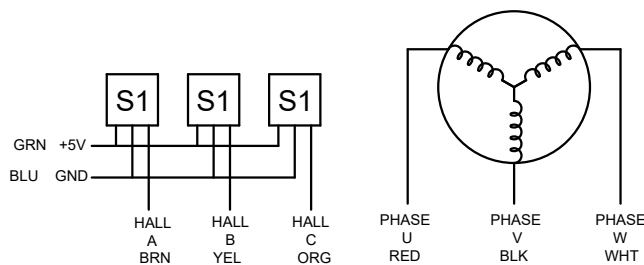
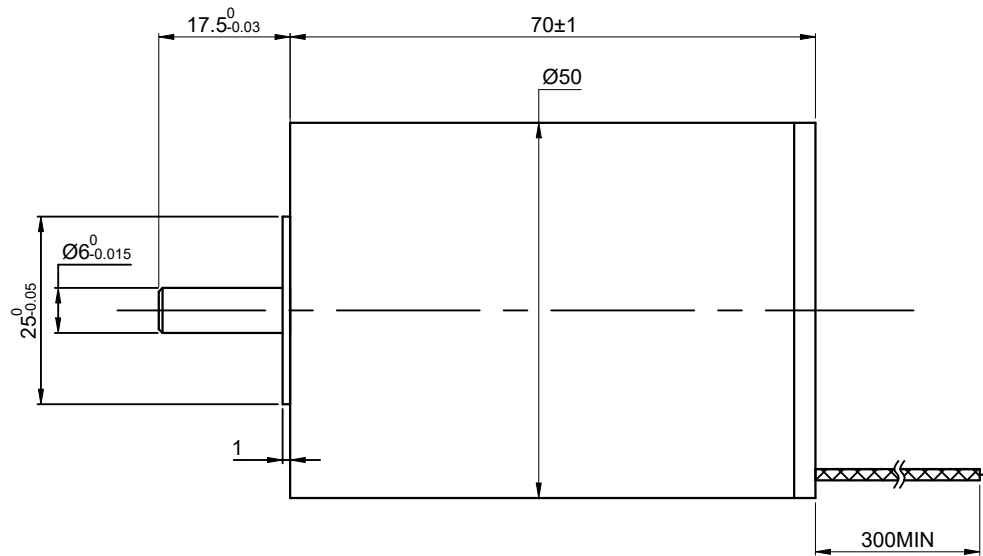
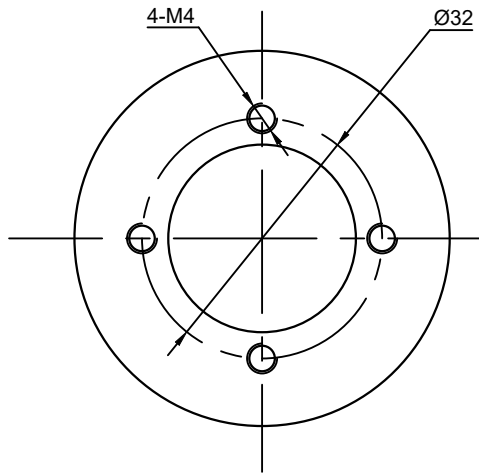


DWG NO. -



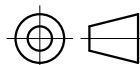
HALL LINE: 0.2mm<sup>2</sup>

PHASE LINE: 0.75mm<sup>2</sup>

SPECIFICATION	VALUE
RATED VOLTAGE(V)	24
TERMINAL RESISTANCE(Ohms)	0.32
TERMINAL INDUCTANCE(mH)	0.09
NO LOAD SPEED(RPM)	9000
NO LOAD CURRENT(A)	0.35
RATED SPEED(RPM)	6000
RATED CURRENT(A)	11.99
RATED TORQUE(mNm)	304
RATED POWER(W)	191
THE GREATEST POWER OUTPUT(W)	445.81
EFFICIENCY(%)	86.80
TORQUE CONSTANT (mNm/A)	25.35
STALL TORQUE (mNm)	1892.08
BACK-EMF CONSTANT (mV/RPM)	2.65
SPEED CONSTANT (RPM/V)	376.76
FRICITION TORQUE(mNm)	8.87
CURRENT CONSTANT (A/mNm)	0.04

UNIT mm  
GB/T 1804-M EQV.ISO 2768-1 CLASS M:

<=6	±0.1
>6~30	±0.2
>30~120	±0.3
>120~400	±0.5



mm

UNITS DRN MYX 1.13.2026

3:2 APVD LDJ 1.13.2026

SCALE SIGNATURE DATE

BRUSHLESS DC MOTOR

50CL70-24-P2-6000

**OSMTEC**<sup>®</sup>  
Stepper Motor Specialists