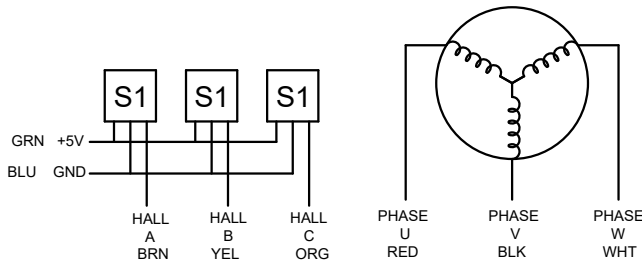
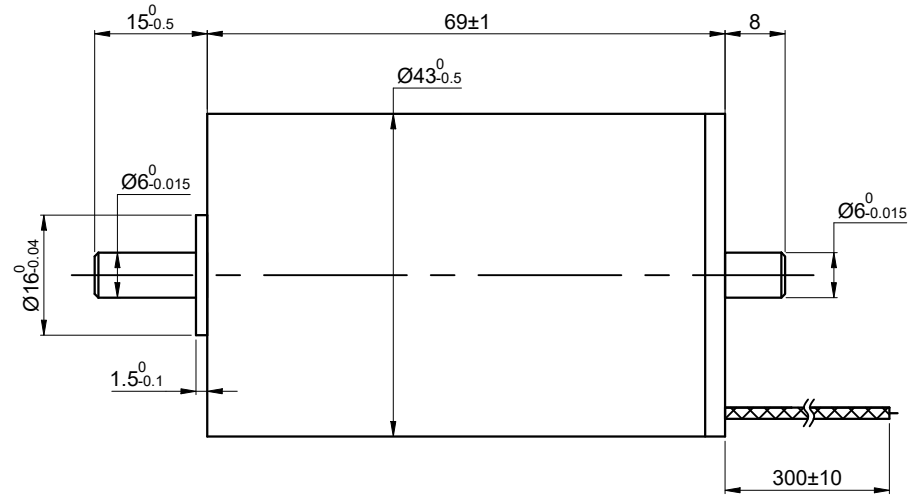
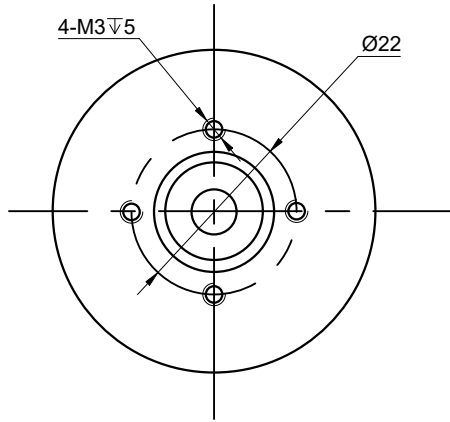


DWG NO. -



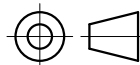
HALL LINE: 0.2mm²

PHASE LINE: 0.75mm²

SPECIFICATION	VALUE
RATED VOLTAGE(V)	24
TERMINAL RESISTANCE(Ohms)	0.21
TERMINAL INDUCTANCE(mH)	0.05
NO LOAD SPEED(RPM)	10500
NO LOAD CURRENT(A)	0.75
RATED SPEED(RPM)	8000
RATED CURRENT(A)	9.68
RATED TORQUE(mNm)	210
RATED POWER(W)	175.92
THE GREATEST POWER OUTPUT(W)	676.74
EFFICIENCY(%)	84.45
TORQUE CONSTANT (mNm/A)	21.68
STALL TORQUE (mNm)	2461.88
BACK-EMF CONSTANT (mV/RPM)	2.27
SPEED CONSTANT (RPM/V)	440.39
FRICTION TORQUE(mNm)	16.26
CURRENT CONSTANT (A/mNm)	0.05

UNIT mm
GB/T 1804-M EQV.ISO 2768-1 CLASS M:

<=6	±0.1
>6~30	±0.2
>30~120	±0.3
>120~400	±0.5



mm

UNITS	DRN	MYX	1.13.2026
3:2	APVD	LDJ	1.13.2026
SCALE	SIGNATURE	DATE	

BRUSHLESS DC MOTOR

43CL70-24-P2-8000

OSMTEC®
Stepper Motor Specialists