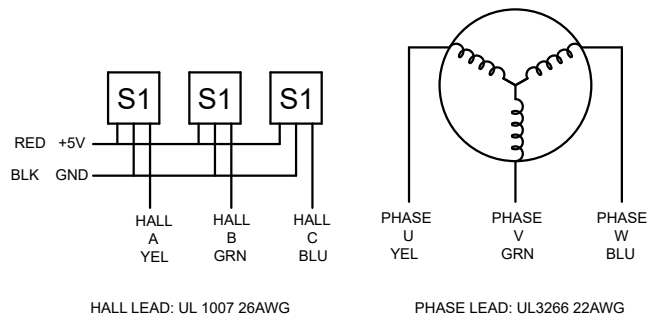
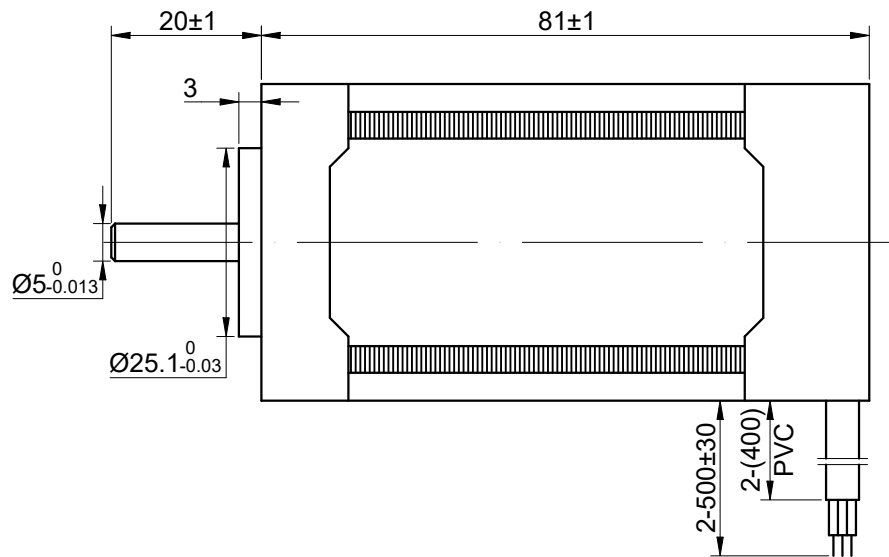
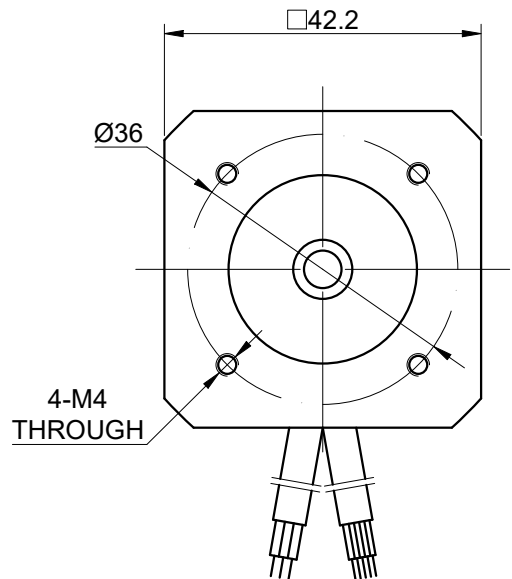


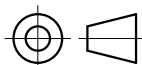
DWG NO. -



SPECIFICATION	VALUE
NO. of PHASES	3
NO. of POLES	8
RESISTANCE/PHASE(Ohms)@25°C	1.00±10%
INDUCTANCE/PHASE(mH)@1KHz	1.13±20%
RATED VOLTAGE(V)	24
RATED TORQUE(N.m)[lb-in]	0.19[1.68]
RATED POWER(W)	60
RATED SPEED(RPM)	3000±10%
RATED CURRENT(A)	3.6
NO LOAD SPEED(RPM)	4100±10%
WEIGHT(kg)	—
BACK EMF(V/krpm)	4.00±5%
SENSOR	HALL
AMBIENT TEMPERATURE	-10°C~50°C[14°F~122°F]
INSULATION CLASS	B 130°C[266°F]
TEMPERATURE RISE	MAX.80°C

UNIT mm
 GB/T 1804-M EQV.ISO 2768-1 CLASS M:
 ≤6 ±0.1
 >6~30 ±0.2
 >30~120 ±0.3
 >120~400 ±0.5

OSMTEC®
 Stepper Motor Specialists



mm			
UNITS	DRN	MYX	1.15.2026
3:2	APVD	LDJ	1.15.2026
SCALE	SIGNATURE	DATE	

BRUSHLESS DC MOTOR

42BSB81-24-01