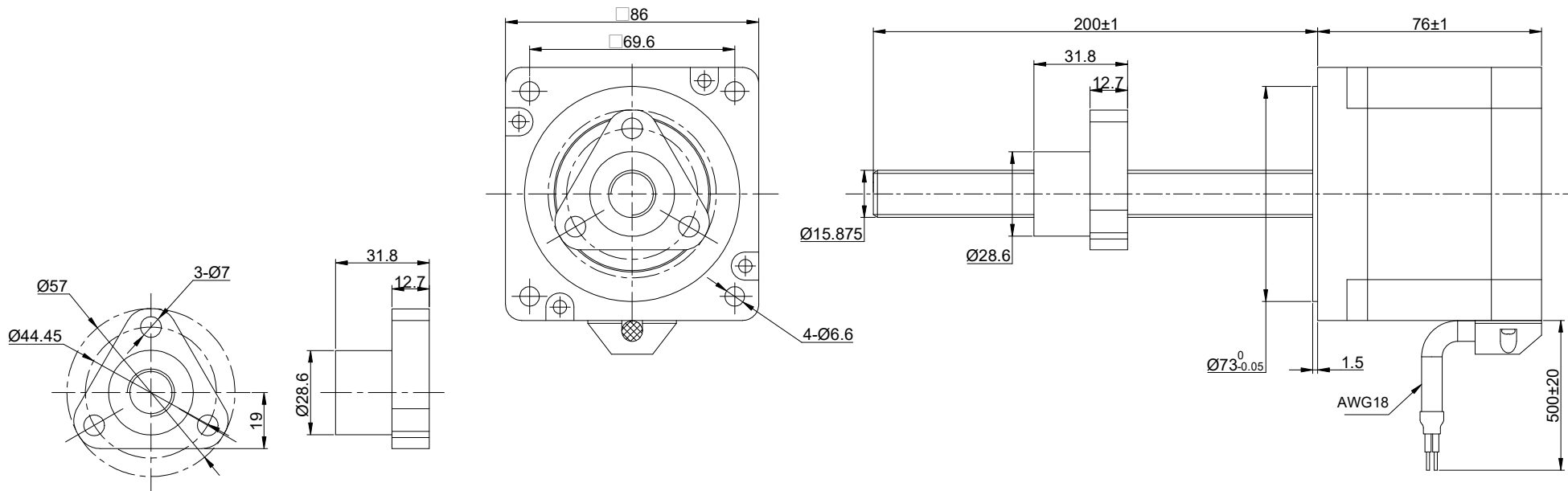


DWG NO. -

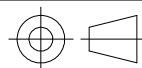


FULL STEP 2 PHASE-Ex.,WHEN FACING MOUNTING END (X)

STEP	A+	B+	A-	B-		CCW
1	+	+	-	-	↓ ↑ CW	↑
2	-	+	+	-		
3	-	-	+	+		
4	+	-	-	+		

UNIT mm  
GB/T 1804-M EQV.ISO  
2768-1 CLASS M:  
<=6 ±0.1  
>6~30 ±0.2  
>30~120 ±0.3  
>120~400 ±0.5

**OSMTEC**<sup>®</sup>  
Stepper Motor Specialists



mm

UNITS

1:1

SCALE

WINDING			CONNECTION		BIPOLAR
			SPECIFICATION		
			AMPS/PHASE		5.50
			RESISTANCE/PHASE(Ohms)@25°C		0.50±10%
			INDUCTANCE/PHASE(mH)@1KHz		4.50±20%
			HOLDING TORQUE(Nm)[lb-in]		4.5[39.83]
			STEP ANGLE(°)		1.80
STEP ACCURACY(NON-ACCUM)		±5.00%			
PIN NO	BIPOLAR	LEADS	LEAD(mm)		2.54
1	A+	RED	LINEAR TRAVEL/STEP(mm)		0.0127
2	A-	RED/WHT	AMBIENT TEMPERATURE		-10°C~50°C[14°F~122°F]
3	B+	GRN	INSULATION CLASS		B 130°C[266°F]
4	B-	GRN/WHT	TEMPERATURE RISE		MAX.80°C
			<b>LINEAR STEPPER MOTOR</b>		
			<b>34E30S5504GK5-200RS</b>		

DRN

LDJ

1.16.2026

APVD

ZPJ

1.20.2026

SIGNATURE

DATE