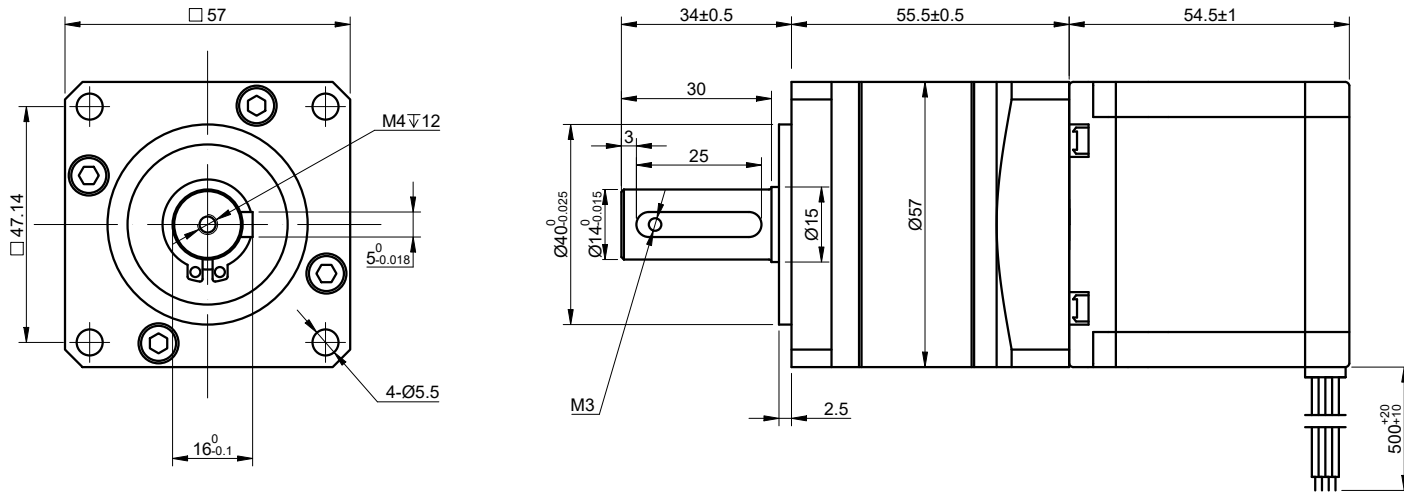


DWG NO. -



SPECIFICATION	VALUE
AMPS/PHASE	2.90
RESISTANCE/PHASE(Ohms)@25°C	0.90±10%
INDUCTANCE/PHASE(mH)@1KHz	2.60±20%
HOLDING TORQUE w/o GEARBOX(Nm)[lb-in]	1.20[10.63]
GEAR RATIO	10
EFFICIENCY	90%
STEP ANGLE w/o GEARBOX(°)	1.80
BACKLASH@NO-LOAD	<=30arcmin
MAX.PERMISSIBLE TORQUE(Nm)	10.00
MOMENT PERMISSIBLE TORQUE(Nm)	20.00
SHAFT MAXIMUM AXIAL LOAD(N)	200
SHAFT MAXIMUM RADIAL LOAD(N)	400
AMBIENT TEMPERATURE	-10°C~50°C[14°F~122°F]
INSULATION CLASS	B 130°C[266°F]
TEMPERATURE RISE	MAX.80°C

FULL STEP 2 PHASE-Ex.,WHEN FACING MOUNTING END (X)

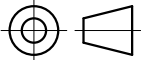
STEP	A+	B+	A-	B-	CW	CCW
1	+	+	-	-	 	
2	-	+	+	-		
3	-	-	+	+		
4	+	-	-	+		

UNIT mm  
 GB/T 1804-M EQV.ISO  
 2768-1 CLASS M:  
 <=6 ±0.1  
 >6~30 ±0.2  
 >30~120 ±0.3  
 >120~400 ±0.5

MOTOR CONNECTION

PIN NO	BIPOLAR	LEADS
1	A+	--
2	A-	--
3	B+	--
4	B-	--

**OSMTEC**®  
 Stepper Motor Specialists



mm			
UNITS	DRN	ZPJ	1.13.2026
2:3	APVD	YSX	1.13.2026
SCALE	SIGNATURE	DATE	

**GEARBOX MOTOR**  
 23HS22-2904S-MG10