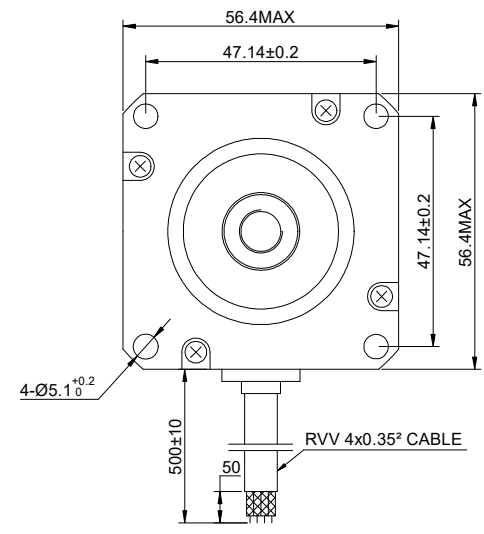
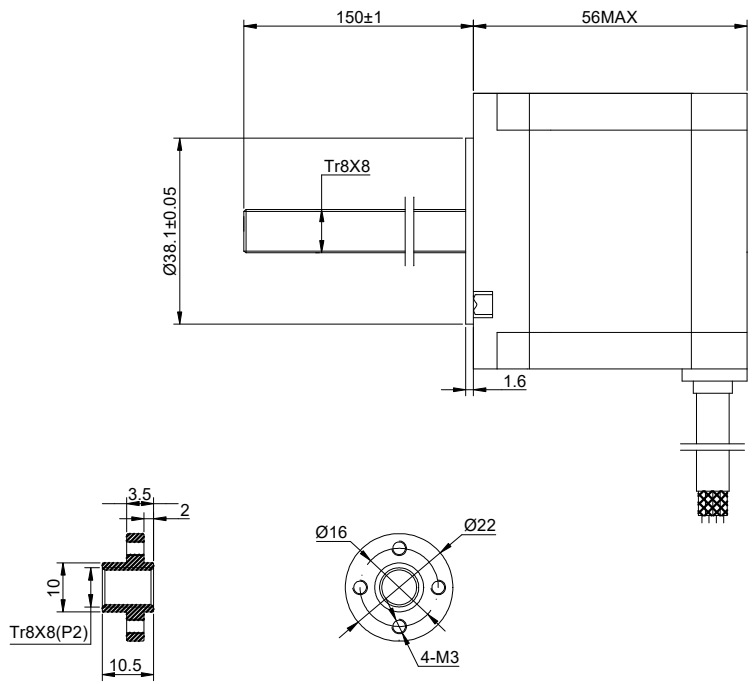


DWG NO. -



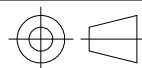
FULL STEP 2 PHASE-Ex.,WHEN FACING MOUNTING END (X)

STEP	A+	B+	A-	B-		CCW
1	+	+	-	-		
2	-	+	+	-		
3	-	-	+	+		
4	+	-	-	+	CW	

UNIT mm
 GB/T 1804-M EQV.ISO
 2768-1 CLASS M:
 <=6 ±0.1
 >6~30 ±0.2
 >30~120 ±0.3
 >120~400 ±0.5

WINDING			CONNECTION		BIPOLAR
			SPECIFICATION		
			AMPS/PHASE		3.00
			RESISTANCE/PHASE(Ohms)@25°C		1.10±10%
			INDUCTANCE/PHASE(mH)@1KHz		3.20±20%
			HOLDING TORQUE(Nm)[lb-in]		1.30[11.51]
			STEP ANGLE(°)		1.80
STEP ACCURACY(NON-ACCUM)		±5.00%			
PIN NO	BIPOLAR	LEADS	LEAD(mm)		8
1	A+	BLK	LINEAR TRAVEL/STEP(mm)		0.04
2	A-	GRN	AMBIENT TEMPERATURE		-10°C~50°C[14°F~122°F]
3	B+	RED	INSULATION CLASS		B 130°C[266°F]
4	B-	BLU	TEMPERATURE RISE		MAX.80°C

OSMTEC[®]
 Stepper Motor Specialists



mm			
UNITS	DRN	LDJ	1.15.2026
2:3	APVD	ZPJ	1.20.2026
SCALE	SIGNATURE		DATE

LINEAR STEPPER MOTOR

23E22S3004MB4-150RB