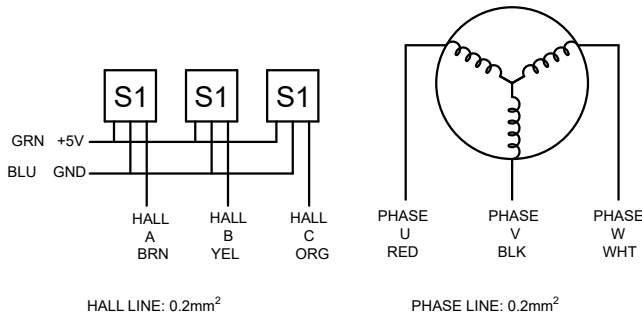
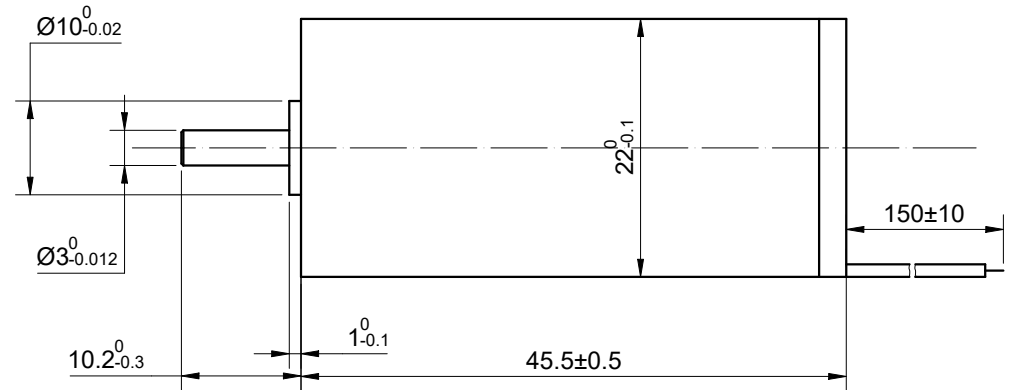
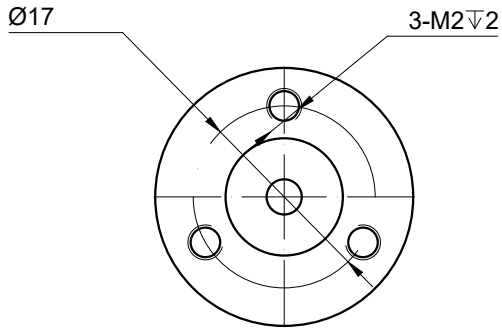


DWG NO. -

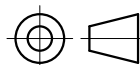


SPECIFICATION	VALUE
RATED VOLTAGE(V)	24
TERMINAL RESISTANCE(Ohms)	1.1
TERMINAL INDUCTANCE(mH)	0.1
NO LOAD SPEED(RPM)	40000
NO LOAD CURRENT(A)	0.6
RATED SPEED(RPM)	32000
RATED CURRENT(A)	4.22
RATED TORQUE(mNm)	23.5
RATED POWER(W)	78.74
THE GREATEST POWER OUTPUT(W)	123.81
EFFICIENCY(%)	69.58
TORQUE CONSTANT (mNm/A)	5.57
STALL TORQUE (mNm)	118.23
BACK-EMF CONSTANT (mV/RPM)	0.58
SPEED CONSTANT (RPM/V)	1713.80
FRICITION TORQUE(mNm)	3.34
CURRENT CONSTANT (A/mNm)	0.18

UNIT mm
GB/T 1804-M EQV.ISO 2768-1 CLASS M:

<=6	±0.1
>6~30	±0.2
>30~120	±0.3
>120~400	±0.5

OSMTEC®
Stepper Motor Specialists



mm			
UNITS	DRN	MYX	1.13.2026
3:2	APVD	LDJ	1.13.2026
SCALE	SIGNATURE	DATE	

BRUSHLESS DC MOTOR

22CL45-24-P2-32000