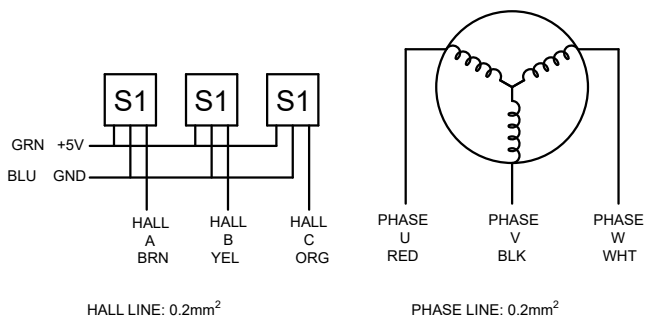
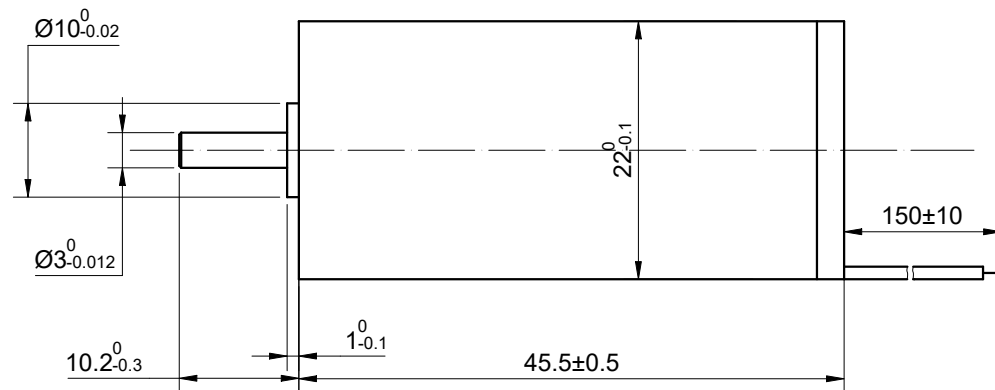
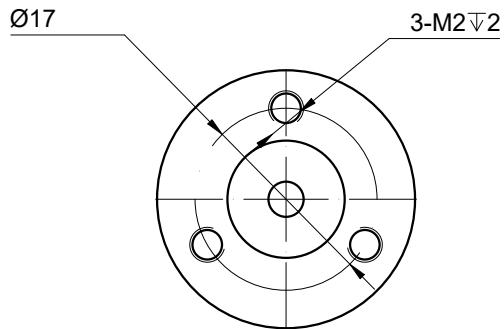


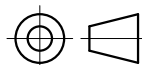
DWG NO. -



| SPECIFICATION | VALUE |
|------------------------------|--------|
| RATED VOLTAGE(V) | 24 |
| TERMINAL RESISTANCE(Ohms) | 1.9 |
| TERMINAL INDUCTANCE(mH) | 0.16 |
| NO LOAD SPEED(RPM) | 23000 |
| NO LOAD CURRENT(A) | 0.35 |
| RATED SPEED(RPM) | 20000 |
| RATED CURRENT(A) | 1.55 |
| RATED TORQUE(mNm) | 15 |
| RATED POWER(W) | 31.41 |
| THE GREATEST POWER OUTPUT(W) | 71.65 |
| EFFICIENCY(%) | 69.48 |
| TORQUE CONSTANT(mNm/A) | 9.69 |
| STALL TORQUE (mNm) | 118.99 |
| BACK-EMF CONSTANT(mV/RPM) | 1.01 |
| SPEED CONSTANT(RPM/V) | 985.64 |
| FRICITION TORQUE(mNm) | 3.39 |
| CURRENT CONSTANT(A/mNm) | 0.10 |

UNIT mm
GB/T 1804-M EQV.ISO 2768-1 CLASS M:

| | |
|----------|------|
| <=6 | ±0.1 |
| >6~30 | ±0.2 |
| >30~120 | ±0.3 |
| >120~400 | ±0.5 |



| | | | |
|-------|-----------|------|-----------|
| mm | | | |
| UNITS | DRN | MYX | 1.13.2026 |
| 3:2 | APVD | LDJ | 1.13.2026 |
| SCALE | SIGNATURE | DATE | |

BRUSHLESS DC MOTOR

22CL45-24-P2-20000

OSMTEC®
Stepper Motor Specialists