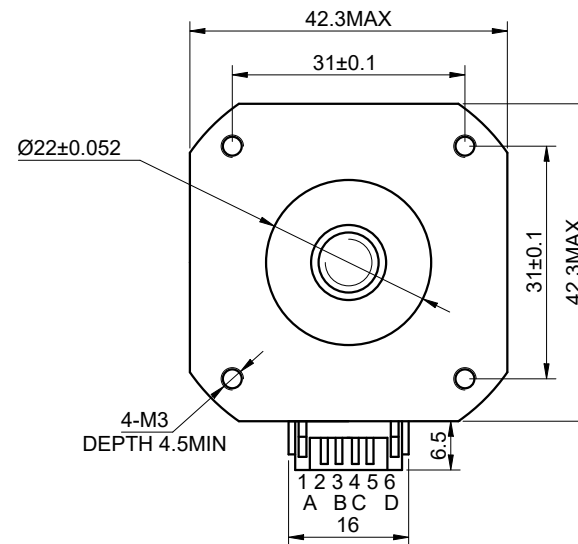
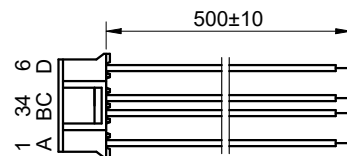
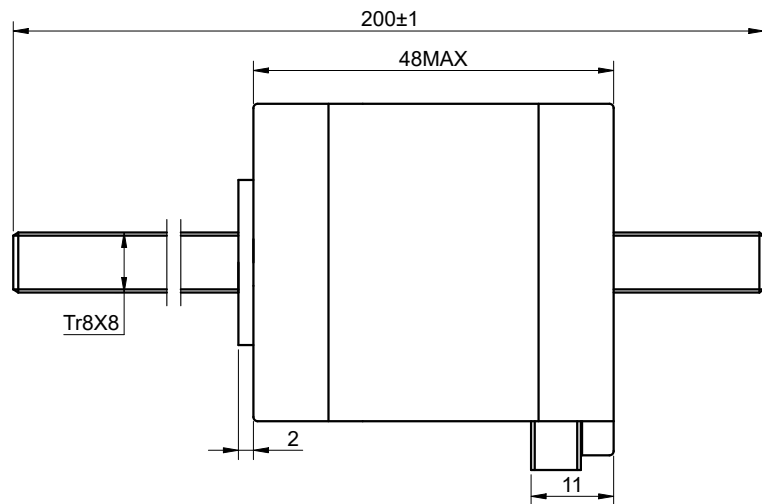


DWG NO. -



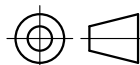
FULL STEP 2 PHASE-Ex., WHEN FACING MOUNTING END (X)

STEP	A+	B+	A-	B-		CCW
1	+	+	-	-	  CW      CCW	
2	-	+	+	-		
3	-	-	+	+		
4	+	-	-	+		

UNIT mm  
 GB/T 1804-M EQV.ISO  
 2768-1 CLASS M:  
 <=6 ±0.1  
 >6~30 ±0.2  
 >30~120 ±0.3  
 >120~400 ±0.5

WINDING			CONNECTION	
			SPECIFICATION	BIPOLAR
			AMPS/PHASE	1.68
			RESISTANCE/PHASE(Ohms)@25°C	1.65±10%
			INDUCTANCE/PHASE(mH)@1KHz	2.80±20%
			HOLDING TORQUE(Nm)[lb-in]	0.44[3.89]
			STEP ANGLE(°)	1.80
			STEP ACCURACY(NON-ACCUM)	±5.00%
PIN NO	BIPOLAR	LEADS	LEAD(mm)	
1	A+	RED	LINEAR TRAVEL/STEP(mm)	0.04
2	A-	GRY	AMBIENT TEMPERATURE	-10°C~50°C[14°F~122°F]
3	B+	YEL	INSULATION CLASS	B 130°C[266°F]
4	B-	GRN	TEMPERATURE RISE	MAX.80°C

**OSMTEC**®  
 Stepper Motor Specialists



mm

UNITS

1:1

SCALE

DRN

APVD

SIGNATURE

MYX

LDJ

DATE

1.9.2026

1.9.2026

**LINEAR STEPPER MOTOR**

17N19S1684MB4-200RS