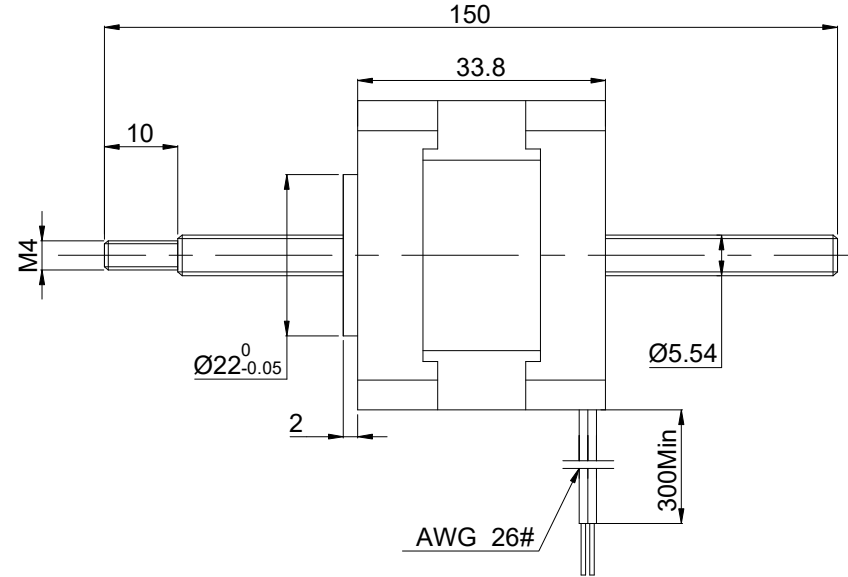
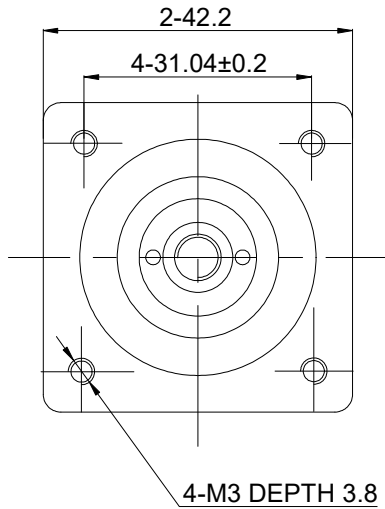


DWG NO. -

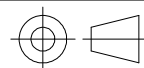


FULL STEP 2 PHASE-Ex.,WHEN FACING MOUNTING END (X)

STEP	A+	B+	A-	B-		CCW
1	+	+	-	-		UNIT mm GB/T 1804-M EQV.ISO 2768-1 CLASS M: <=6 ±0.1 >6~30 ±0.2 >30~120 ±0.3 >120~400 ±0.5
2	-	+	+	-		
3	-	-	+	+		
4	+	-	-	+		

WINDING			CONNECTION		BIPOLAR
			SPECIFICATION		
			AMPS/PHASE		0.70
			RESISTANCE/PHASE(Ohms)@25°C		7.20±10%
			INDUCTANCE/PHASE(mH)@1KHz		10.60±20%
			MINIMAL THRUST(N)@300 PPS		196
			STEP ANGLE(°)		1.80
STEP ACCURACY(NON-ACCUM)		±5.00%			
PIN NO	BIPOLAR	LEADS	LEAD(mm)		2.4384
1	A+	RED	LINEAR TRAVEL/STEP(mm)		0.012192
2	A-	RED/WHT	AMBIENT TEMPERATURE		-10°C~50°C[14°F~122°F]
3	B+	GRN/WHT	INSULATION CLASS		B 130°C[266°F]
4	B-	GRN	TEMPERATURE RISE		MAX.80°C

**OSMTEC**<sup>®</sup>  
Stepper Motor Specialists



mm

UNITS

1:1

SCALE

DRN

APVD

SIGNATURE

LDJ

ZPJ

1.15.2026

1.20.2026

DATE

**LINEAR STEPPER MOTOR**

**17N13S0704JE2-150RS**