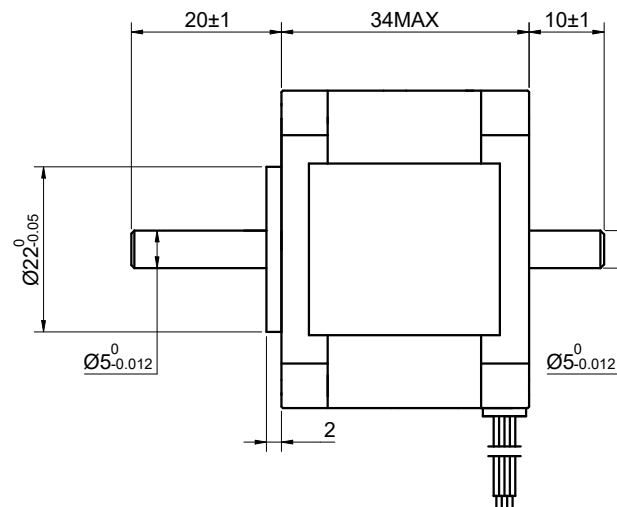
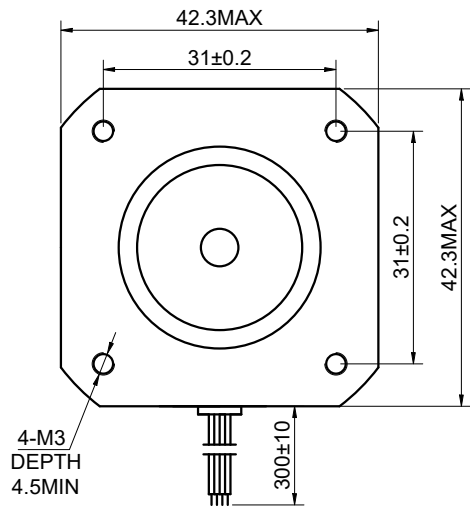


DWG NO. -



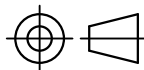
FULL STEP 2 PHASE-Ex., WHEN FACING MOUNTING END (X)

STEP	A+	B+	A-	B-		CCW
1	+	+	-	-	  CW	↑
2	-	+	+	-		
3	-	-	+	+		
4	+	-	-	+		

UNIT mm  
 GB/T 1804-M EQV.ISO  
 2768-1 CLASS M:  
 <=6 ±0.1  
 >6~30 ±0.2  
 >30~120 ±0.3  
 >120~400 ±0.5

WINDING			CONNECTION		BIPOLAR
			SPECIFICATION		
			AMPS/PHASE		1.33
			RESISTANCE/PHASE(Ohms)@25°C		2.10±10%
			INDUCTANCE/PHASE(mH)@1KHz		2.50±20%
			HOLDING TORQUE(Nm)[lb-in]		0.22[1.91]
			STEP ANGLE(°)		1.80
			STEP ACCURACY(NON-ACCUM)		±5.00%
PIN NO	BIPOLAR	LEADS	ROTOR INERTIA(g-cm <sup>2</sup> )		35.00
1	A+	BLK	WEIGHT(Kg)[lb]		—
2	A-	GRN	AMBIENT TEMPERATURE		-10°C~50°C[14°F~122°F]
3	B+	RED	INSULATION CLASS		B 130°C[266°F]
4	B-	BLU	TEMPERATURE RISE		MAX.80°C

**OSMTEC**®  
 Stepper Motor Specialists



mm

UNITS

1:1

SCALE

DRN

APVD

SIGNATURE

YSX

LJ

DATE

1.13.2026

1.13.2026

DATE

**STEPPER MOTOR**

**17HS13-1334D**