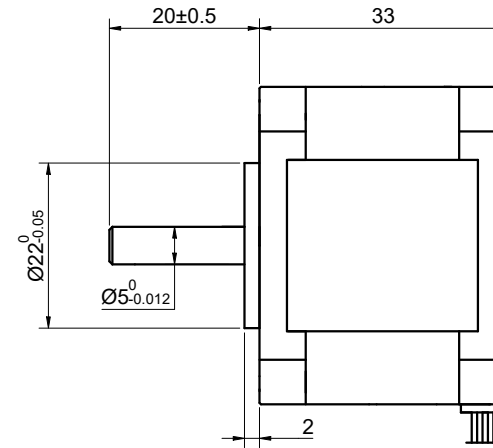
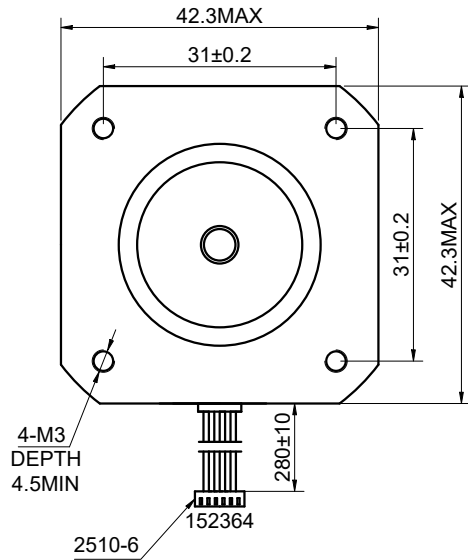


DWG NO. -



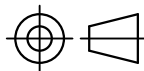
FULL STEP 2 PHASE-Ex., WHEN FACING MOUNTING END (X)

STEP	A+	B+	A-	B-		CCW
1	+	+	-	-	 	 
2	-	+	+	-		
3	-	-	+	+		
4	+	-	-	+		

UNIT mm  
 GB/T 1804-M EQV.ISO  
 2768-1 CLASS M:  
 <=6 ±0.1  
 >6~30 ±0.2  
 >30~120 ±0.3  
 >120~400 ±0.5

WINDING			CONNECTION	UNIPOLAR
			SPECIFICATION	
PIN NO	BIPOLAR	LEADS	AMPS/PHASE	0.95
1	A+	BLK	RESISTANCE/PHASE(Ohms)@25°C	4.20±10%
2	A-	GRN	INDUCTANCE/PHASE(mH)@1KHz	2.50±20%
3	B+	RED	HOLDING TORQUE(Nm)[lb-in]	0.16[1.42]
4	B-	BLU	STEP ANGLE(°)	1.80
5	O+	YEL	STEP ACCURACY(NON-ACCUM)	±5.00%
6	O-	WHT	ROTOR INERTIA(g-cm²)	35.00
			WEIGHT(Kg)[lb]	0.22[0.49]
			AMBIENT TEMPERATURE	-10°C~50°C[14°F~122°F]
			INSULATION CLASS	B 130°C[266°F]
			TEMPERATURE RISE	MAX.80°C

**OSMTEC**®  
 Stepper Motor Specialists



mm

UNITS

1:1

SCALE

DRN

APVD

SIGNATURE

YSX

LJ

DATE

1.13.2026

1.13.2026

**STEPPER MOTOR**

**17HS13-0956S**