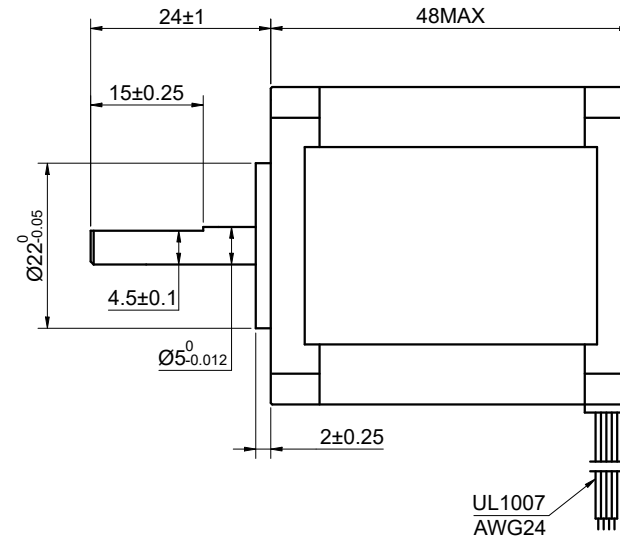
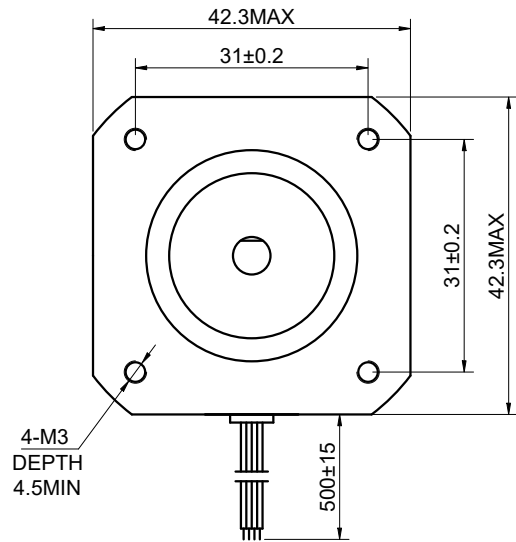


DWG NO. -



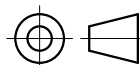
FULL STEP 2 PHASE-Ex., WHEN FACING MOUNTING END (X)

STEP	A+	B+	A-	B-		CCW
1	+	+	-	-		CCW ↑
2	-	+	+	-		
3	-	-	+	+		
4	+	-	-	+		

UNIT mm  
 GB/T 1804-M EQV.ISO  
 2768-1 CLASS M:  
 ≤6 ±0.1  
 >6~30 ±0.2  
 >30~120 ±0.3  
 >120~400 ±0.5

WINDING			CONNECTION	BIPOLAR
			SPECIFICATION	
			AMPS/PHASE	2.00
			RESISTANCE/PHASE(Ohms)@25°C	1.45±10%
			INDUCTANCE/PHASE(mH)@1KHz	4.00±20%
			HOLDING TORQUE(Nm)[lb-in]	0.46[4.07]
			STEP ANGLE(°)	0.90
PIN NO	BIPOLAR	LEADS	STEP ACCURACY(NON-ACCUM)	±5.00%
1	A+	BLK	ROTOR INERTIA(g·cm <sup>2</sup> )	68.00
2	A-	GRN	WEIGHT(Kg)[lb]	—
3	B+	RED	AMBIENT TEMPERATURE	-10°C~50°C[14°F~122°F]
4	B-	BLU	INSULATION CLASS	B 130°C[266°F]
			TEMPERATURE RISE	MAX.80°C

**OSMTEC**®  
 Stepper Motor Specialists



mm

UNITS

1:1

SCALE

DRN

APVD

SIGNATURE

YSX

LJ

1.13.2026

1.13.2026

DATE

**STEPPER MOTOR**

**17HM19-2004S**