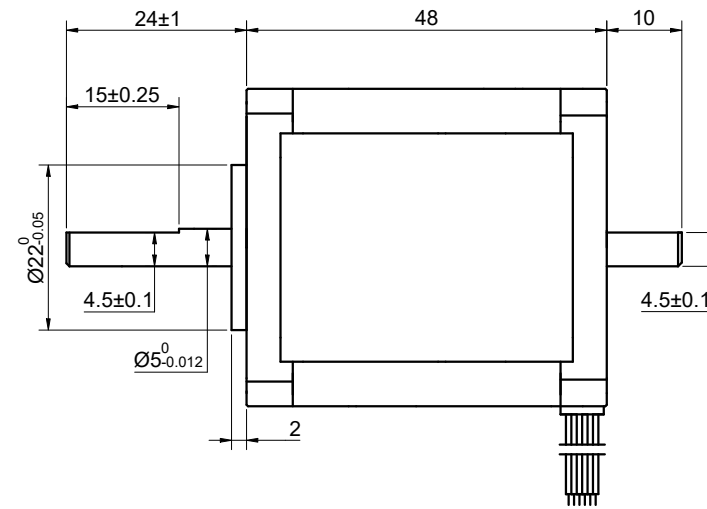
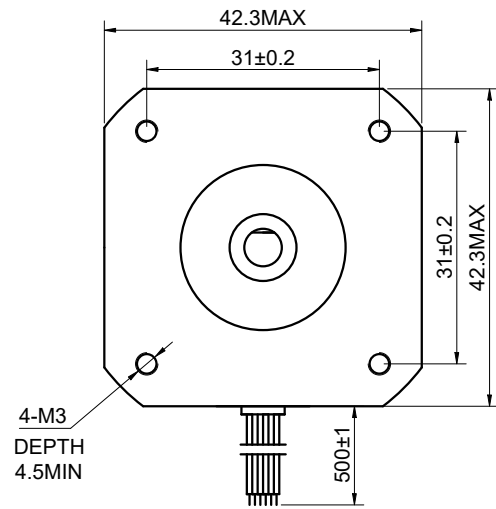


DWG NO. -

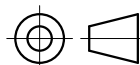


FULL STEP 2 PHASE-Ex., WHEN FACING MOUNTING END (X)

STEP	A+	B+	A-	B-		CCW
1	+	+	-	-		UNIT mm GB/T 1804-M EQV.ISO 2768-1 CLASS M: <=6 ±0.1 >6~30 ±0.2 >30~120 ±0.3 >120~400 ±0.5
2	-	+	+	-		
3	-	-	+	+		
4	+	-	-	+		

WINDING			CONNECTION	UNIPOLAR
			SPECIFICATION	
			AMPS/PHASE	0.40
			RESISTANCE/PHASE(Ohms)@25°C	30.00±10%
			INDUCTANCE/PHASE(mH)@1KHz	38.00±20%
			HOLDING TORQUE(Nm)[lb-in]	0.32[2.83]
PIN NO	BIPOLAR	LEADS	STEP ANGLE(°)	0.90
1	A+	RED	STEP ACCURACY(NON-ACCUM)	±5.00%
2	A-	YEL	ROTOR INERTIA(g-cm ²)	—
3	B+	BLU	WEIGHT(Kg)[lb]	—
4	B-	GRN	AMBIENT TEMPERATURE	-10°C~50°C[14°F~122°F]
5	O+	BRN	INSULATION CLASS	B 130°C[266°F]
6	O-	ORG	TEMPERATURE RISE	MAX.80°C

OSMTEC®
Stepper Motor Specialists



mm

UNITS	DRN	YSX	1.13.2026
1:1	APVD	LJ	1.13.2026
SCALE	SIGNATURE		DATE

STEPPER MOTOR

17HM19-0406D