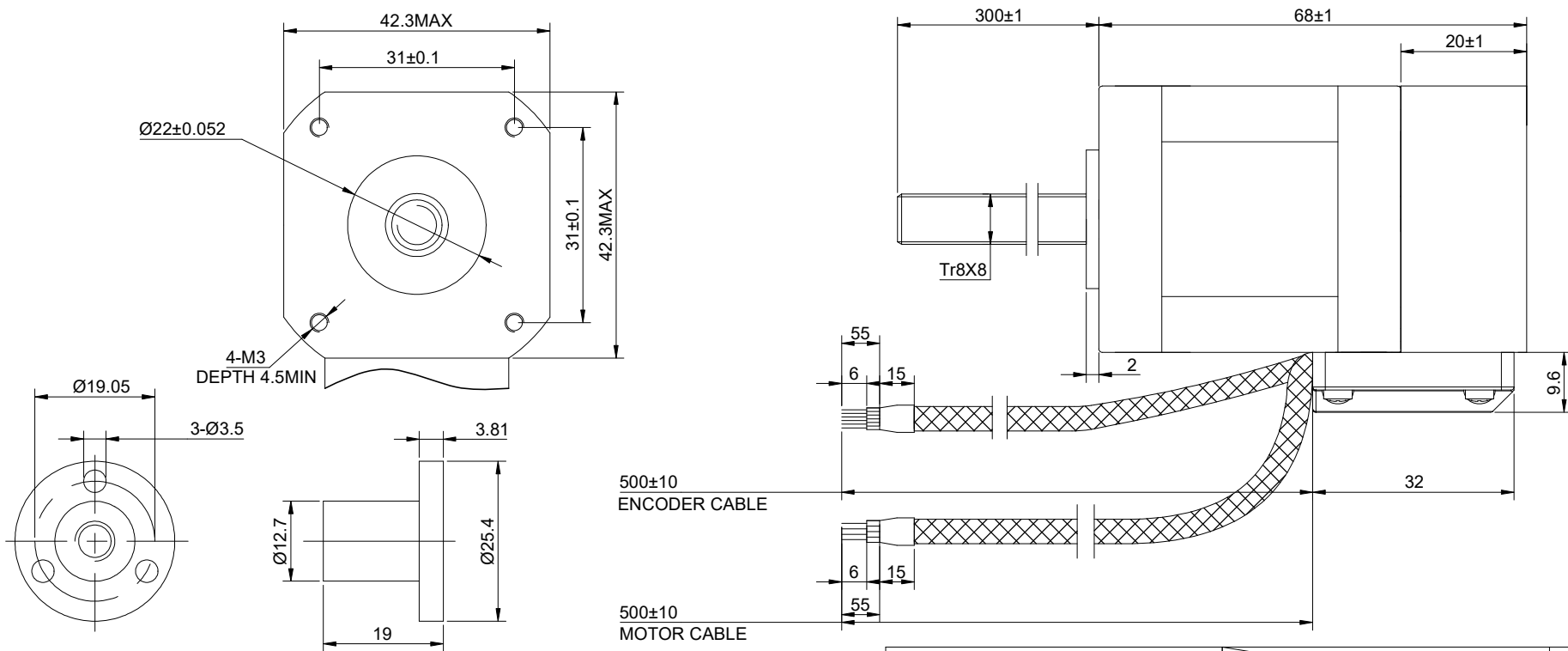


DWG NO. -



ENCODER RESOLUTION:1000PPR(4000CPR)						
LEAD COLOR	RED	WHT	BLK	BLU	YEL	GRN
DESCRIPTION	VCC	GND	EA+	EA-	EB+	EB-

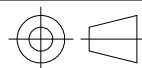
FULL STEP 2 PHASE-Ex.,WHEN FACING MOUNTING END (X)

STEP	A+	B+	A-	B-		CCW
1	+	+	-	-	↓ ↑ CW	↑
2	-	+	+	-		
3	-	-	+	+		
4	+	-	-	+		

UNIT mm
GB/T 1804-M EQV.ISO
2768-1 CLASS M:
<=6 ±0.1
>6~30 ±0.2
>30~120 ±0.3
>120~400 ±0.5

WINDING			CONNECTION		BIPOLAR
			SPECIFICATION		
			AMPS/PHASE		1.68
			RESISTANCE/PHASE(Ohms)@25°C		1.65±10%
			INDUCTANCE/PHASE(mH)@1KHz		2.80±20%
			HOLDING TORQUE(Nm)[lb-in]		0.44[3.89]
			STEP ANGLE(°)		1.80
STEP ACCURACY(NON-ACCUM)		±5.00%			
PIN NO	BIPOLAR	LEADS	LEAD(mm)		8
1	A+	BLK	LINEAR TRAVEL/STEP(mm)		0.04
2	A-	GRN	AMBIENT TEMPERATURE		-10°C~50°C[14°F~122°F]
3	B+	RED	INSULATION CLASS		B 130°C[266°F]
4	B-	BLU	TEMPERATURE RISE		MAX.80°C

OSMTEC[®]
Stepper Motor Specialists



mm

UNITS

1:1

SCALE

DRN

APVD

SIGNATURE

LDJ

ZPJ

DATE

1.15.2026

1.20.2026

LINEAR STEPPER MOTOR

17E19S1684MB4-300RS-OE1K