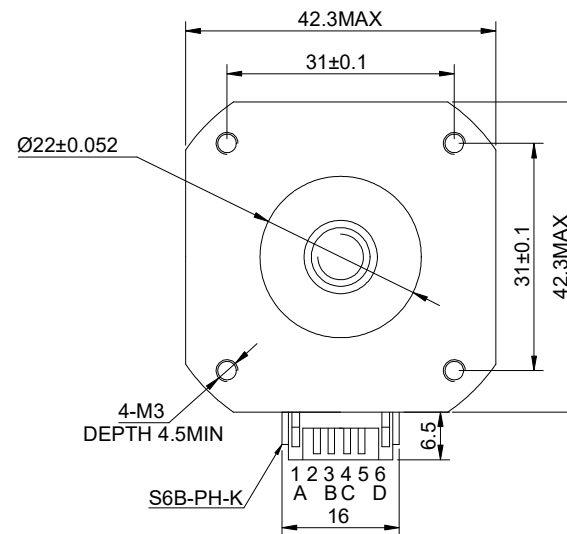
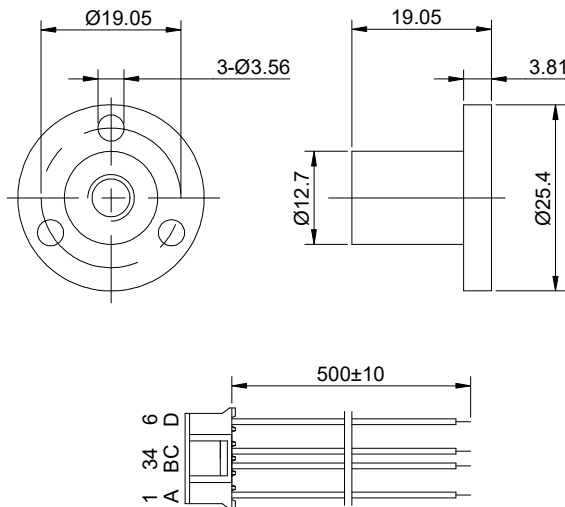
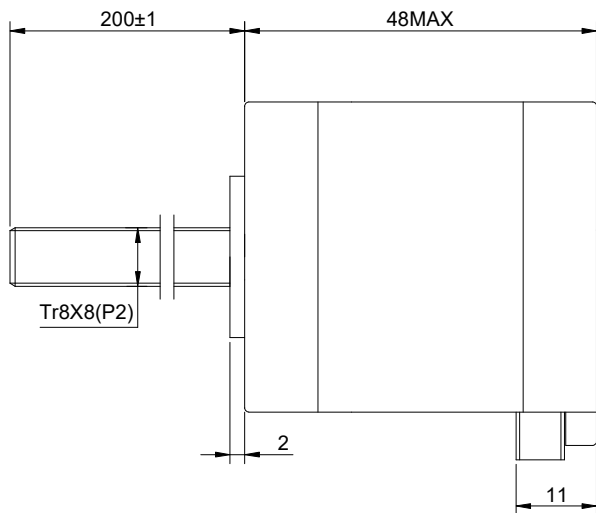


DWG NO. -

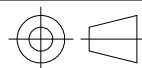


FULL STEP 2 PHASE-Ex.,WHEN FACING MOUNTING END (X)

| STEP | A+ | B+ | A- | B- | CW | CCW |
|------|----|----|----|----|----|-----|
| 1 | + | + | - | - | | |
| 2 | - | + | + | - | | |
| 3 | - | - | + | + | | |
| 4 | + | - | - | + | | |

UNIT mm
 GB/T 1804-M EQV.ISO
 2768-1 CLASS M:
 <=6 ±0.1
 >6~30 ±0.2
 >30~120 ±0.3
 >120~400 ±0.5

OSMTEC[®]
 Stepper Motor Specialists



| mm | | | |
|-------|-----------|-----|-----------|
| UNITS | DRN | LDJ | 1.15.2026 |
| 1:1 | APVD | ZPJ | 1.20.2026 |
| SCALE | SIGNATURE | | DATE |

| WINDING | | | CONNECTION | |
|---------|---------|-------|-----------------------------|------------------------|
| | | | SPECIFICATION | BIPOLAR |
| | | | AMPS/PHASE | 1.68 |
| | | | RESISTANCE/PHASE(Ohms)@25°C | 1.65±10% |
| | | | INDUCTANCE/PHASE(mH)@1KHz | 2.80±20% |
| | | | HOLDING TORQUE(Nm)[lb-in] | 0.44[3.89] |
| | | | STEP ANGLE(°) | 1.80 |
| | | | STEP ACCURACY(NON-ACCUM) | ±5.00% |
| PIN NO | BIPOLAR | LEADS | LEAD(mm) | 8 |
| 1 | A+ | RED | LINEAR TRAVEL/STEP(mm) | 0.04 |
| 2 | A- | GRY | AMBIENT TEMPERATURE | -10°C~50°C[14°F~122°F] |
| 3 | B+ | YEL | INSULATION CLASS | B 130°C[266°F] |
| 4 | B- | GRN | TEMPERATURE RISE | MAX.80°C |

LINEAR STEPPER MOTOR
 17E19S1684MB4-200RS