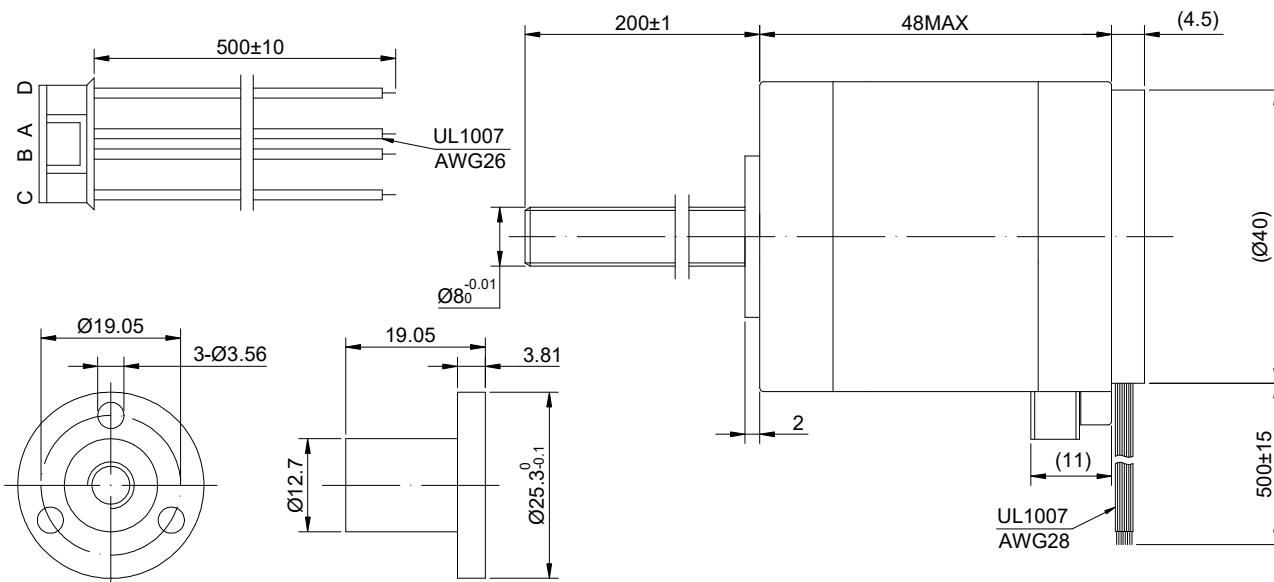
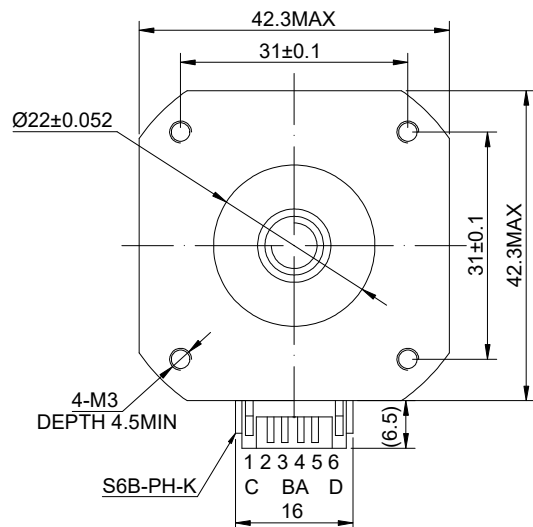


DWG NO. -



ENCODER RESOLUTION:1000PPR

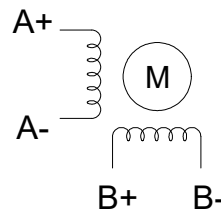
PIN	DESCRIPTION	COLOR
1	+5V	RED
2	GND	BLK
3	EA+	BRN
4	EA-	ORG
5	EB+	BLU
6	EB-	GRN
7	EZ+	YEL
8	EZ-	WHT

FULL STEP 2 PHASE-Ex.,WHEN FACING MOUNTING END (X)

STEP	A+	B+	A-	B-		CCW
1	+	+	-	-	↓ ↑ CW	↑
2	-	+	+	-		
3	-	-	+	+		
4	+	-	-	+		

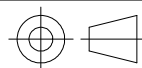
UNIT mm
GB/T 1804-M EQV.ISO
2768-1 CLASS M:
<=6 ±0.1
>6~30 ±0.2
>30~120 ±0.3
>120~400 ±0.5

WINDING



SPECIFICATION		CONNECTION	BIPOLAR
AMPS/PHASE			1.68
RESISTANCE/PHASE(Ohms)@25°C			1.65±10%
INDUCTANCE/PHASE(mH)@1KHz			2.80±20%
HOLDING TORQUE(Nm)[lb-in]			0.44[3.89]
STEP ANGLE(°)			1.80
STEP ACCURACY(NON-ACCUM)			±5.00%
PIN NO	BIPOLAR	LEADS	LEAD(mm)
1	A+	BLK	LINEAR TRAVEL/STEP(mm)
2	A-	GRN	0.04
3	B+	RED	AMBIENT TEMPERATURE
4	B-	BLU	-10°C~50°C[14°F~122°F]
INSULATION CLASS		B 130°C[266°F]	
TEMPERATURE RISE		MAX.80°C	

OSMTEC[®]
Stepper Motor Specialists



mm			
UNITS	DRN	LDJ	1.15.2026
1:1	APVD	ZPJ	1.20.2026
SCALE	SIGNATURE		DATE

LINEAR STEPPER MOTOR

17E19S1684MB4-200RS-AR4