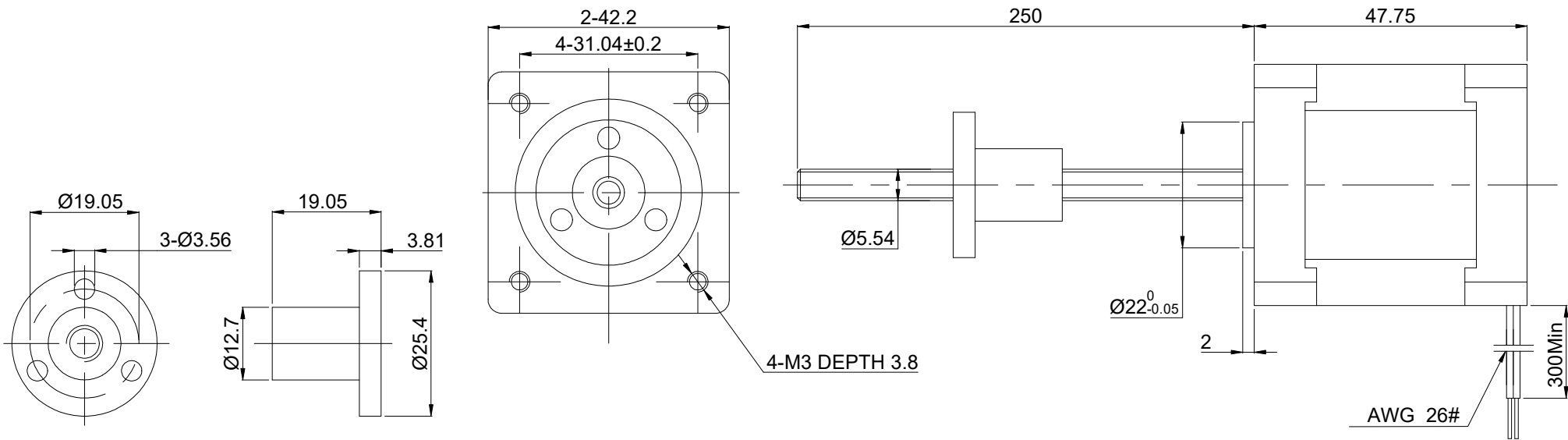


DWG NO. -

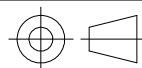


FULL STEP 2 PHASE-Ex.,WHEN FACING MOUNTING END (X)

STEP	A+	B+	A-	B-	CW ↓	CCW ↑
1	+	+	-	-		
2	-	+	+	-		
3	-	-	+	+		
4	+	-	-	+		

UNIT mm
GB/T 1804-M EQV.ISO
2768-1 CLASS M:
<=6 ±0.1
>6~30 ±0.2
>30~120 ±0.3
>120~400 ±0.5

OSMTEC[®]
Stepper Motor Specialists



mm			
UNITS	DRN	LDJ	1.14.2026
1:1	APVD	ZPJ	1.19.2026
SCALE	SIGNATURE		DATE

WINDING			CONNECTION		BIPOLAR
			SPECIFICATION		
			AMPS/PHASE		1.30
			RESISTANCE/PHASE(Ohms)@25°C		3.96±10%
			INDUCTANCE/PHASE(mH)@1KHz		6.66±20%
			MINIMAL THRUST(N)@300 PPS		133
			STEP ANGLE(°)		1.80
STEP ACCURACY(NON-ACCUM)		±5.00%			
PIN NO	BIPOLAR	LEADS	LEAD(mm)	4.876	
1	A+	RED	LINEAR TRAVEL/STEP(mm)	0.024384	
2	A-	RED/WHT	AMBIENT TEMPERATURE	-10°C~50°C[14°F~122°F]	
3	B+	GRN/WHT	INSULATION CLASS	B 130°C[266°F]	
4	B-	GRN	TEMPERATURE RISE	MAX.80°C	

LINEAR STEPPER MOTOR

17E19S1304QE3-250RS