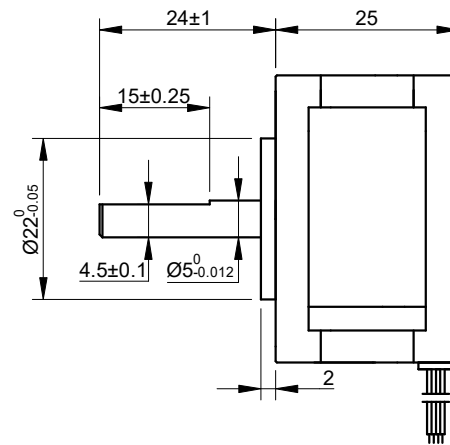
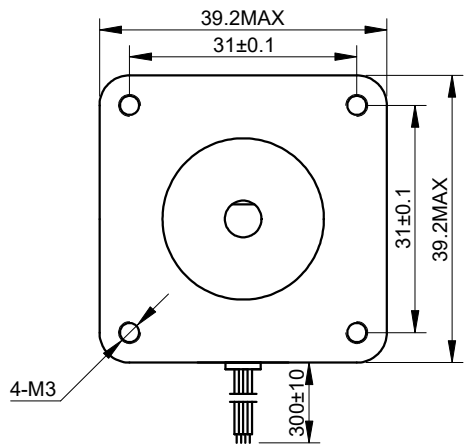


DWG NO. -



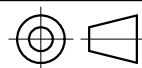
FULL STEP 2 PHASE-Ex.,WHEN FACING MOUNTING END (X)

STEP	A+	B+	A-	B-	CW ↓	CCW ↑
1	+	+	-	-		
2	-	+	+	-		
3	-	-	+	+		
4	+	-	-	+		

UNIT mm
GB/T 1804-M EQV.ISO
2768-1 CLASS M:
<=6 ±0.1
>6~30 ±0.2
>30~120 ±0.3
>120~400 ±0.5

WINDING			CONNECTION		BIPOLAR
			SPECIFICATION		
			AMPS/PHASE		0.60
			RESISTANCE/PHASE(Ohms)@25°C		10.00±10%
			INDUCTANCE/PHASE(mH)@1KHz		15.50±20%
			HOLDING TORQUE(Nm)[lb-in]		0.16[1.42]
			STEP ANGLE(°)		0.90
STEP ACCURACY(NON-ACCUM)		±5.00%			
PIN NO	BIPOLAR	LEADS	ROTOR INERTIA(g-cm ²)		10
1	A+	BLK	WEIGHT(Kg)[lb]		—
2	A-	RED	AMBIENT TEMPERATURE		-10°C~50°C[14°F~122°F]
3	B+	GRN	INSULATION CLASS		B 130°C[266°F]
4	B-	BLU	TEMPERATURE RISE		MAX.80°C

OSMTEC[®]
Stepper Motor Specialists



mm			
UNITS	DRN	YSX	1.13.2026
1:1	APVD	LJ	1.13.2026
SCALE	SIGNATURE		DATE

STEPPER MOTOR
16HM10-0604S