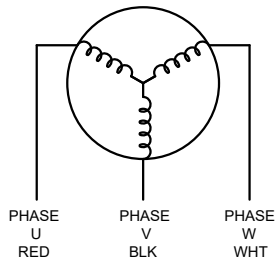
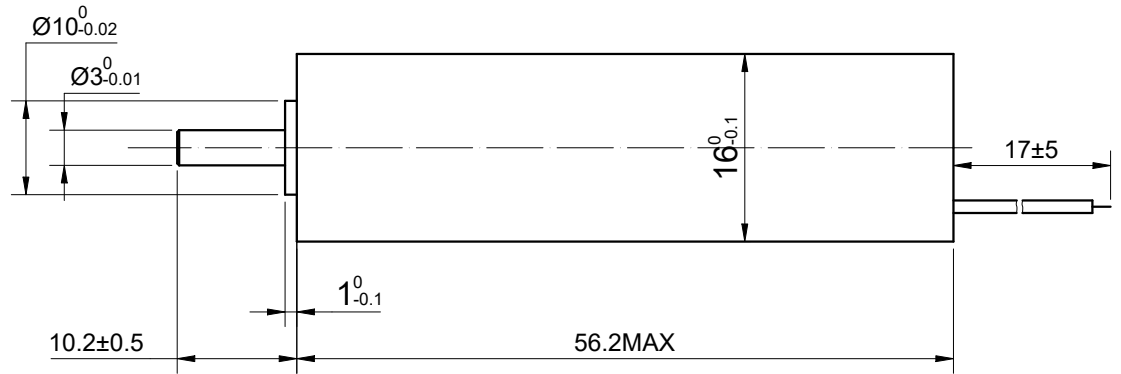
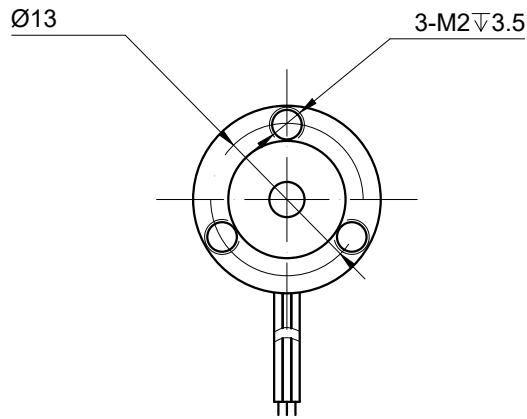


DWG NO. -

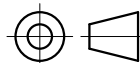


PHASE LINE: 0.2mm<sup>2</sup>

SPECIFICATION	VALUE
RATED VOLTAGE(V)	48
TERMINAL RESISTANCE(Ohms)	2.6
TERMINAL INDUCTANCE(mH)	0.14
NO LOAD SPEED(RPM)	40000
NO LOAD CURRENT(A)	0.12
RATED SPEED(RPM)	32000
RATED CURRENT(A)	0.90
RATED TORQUE(mNm)	10.2
RATED POWER(W)	34.18
THE GREATEST POWER OUTPUT(W)	218.67
EFFICIENCY(%)	84.53
TORQUE CONSTANT (mNm/A)	11.38
STALL TORQUE (mNm)	208.81
BACK-EMF CONSTANT (mV/RPM)	1.19
SPEED CONSTANT (RPM/V)	838.79
FRICITION TORQUE(mNm)	1.37
CURRENT CONSTANT (A/mNm)	0.09

UNIT mm  
GB/T 1804-M EQV.ISO 2768-1 CLASS M:

<=6	±0.1
>6~30	±0.2
>30~120	±0.3
>120~400	±0.5



mm

UNITS DRN MYX 1.13.2026

3:2 APVD LDJ 1.13.2026

SCALE SIGNATURE DATE

**BRUSHLESS DC MOTOR**

**16CL56-48-P2-32000**

**OSMTEC**®  
Stepper Motor Specialists