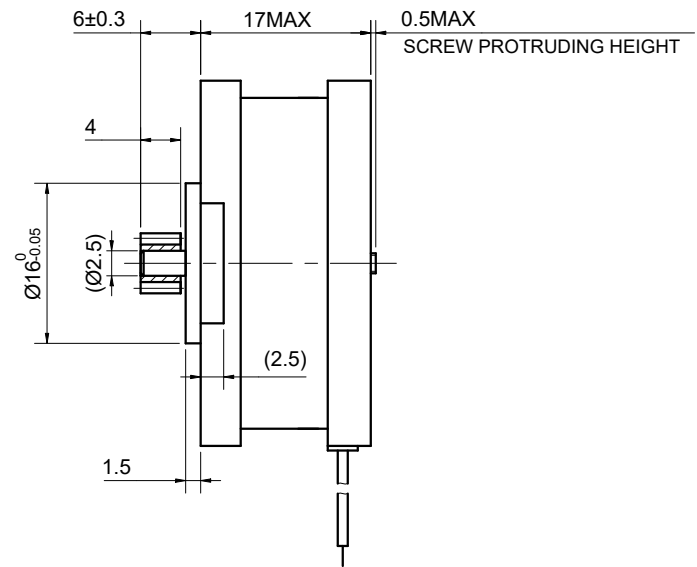
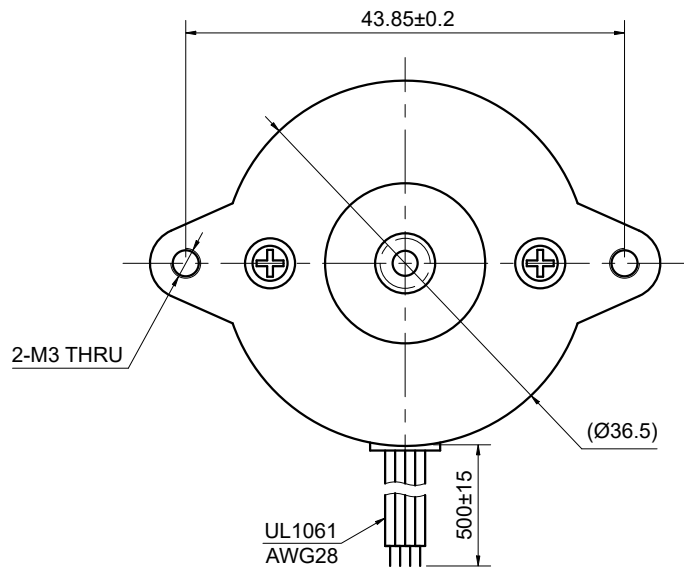


DWG NO.



PULLEY SPECIFICATIONS		
MODULE	m	0.5
NUMBER OF TEETH	Z	10
PITCH DIAMETER	d	Ø5
OUTSIDE DIAMETER	da	Ø6
PRESSURE ANGLE	α	20°
MATERIAL		SUS304

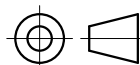
FULL STEP 2 PHASE-Ex., WHEN FACING MOUNTING END (X)

STEP	A+	B+	A-	B-		CCW
1	+	+	-	-	 	
2	-	+	+	-		
3	-	-	+	+		
4	+	-	-	+		

UNIT mm
 GB/T 1804-M EQV.ISO
 2768-1 CLASS M:
 ≤6 ±0.1
 >6~30 ±0.2
 >30~120 ±0.3
 >120~400 ±0.5

WINDING			CONNECTION	
			SPECIFICATION	BIPOLAR
			AMPS/PHASE	1.00
			RESISTANCE/PHASE(Ohms)@25°C	3.90±10%
			INDUCTANCE/PHASE(mH)@1KHz	2.50±20%
			HOLDING TORQUE(Nm)[lb-in]	0.08[0.71]
			STEP ANGLE(°)	0.90
			STEP ACCURACY(NON-ACCUM)	±5.00%
PIN NO	BIPOLAR	LEADS	ROTOR INERTIA(g·cm ²)	10.00
1	A+	BLK	WEIGHT(Kg)[lb]	—
2	A-	GRN	AMBIENT TEMPERATURE	-10°C~50°C[14°F~122°F]
3	B+	RED	INSULATION CLASS	H 180°C[356°F]
4	B-	BLU	TEMPERATURE RISE	MAX.80°C

OSMTEC®
 Stepper Motor Specialists



mm

UNITS

3:2

SCALE

DRN

APVD

SIGNATURE

YSX

LJ

SIGNATURE

1.12.2026

1.12.2026

DATE

STEPPER MOTOR

14RE07-1004VRN