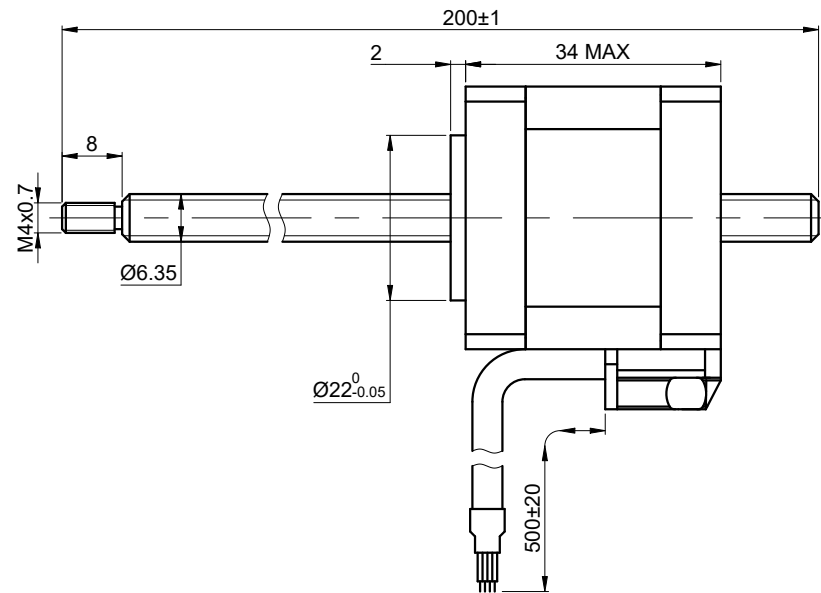
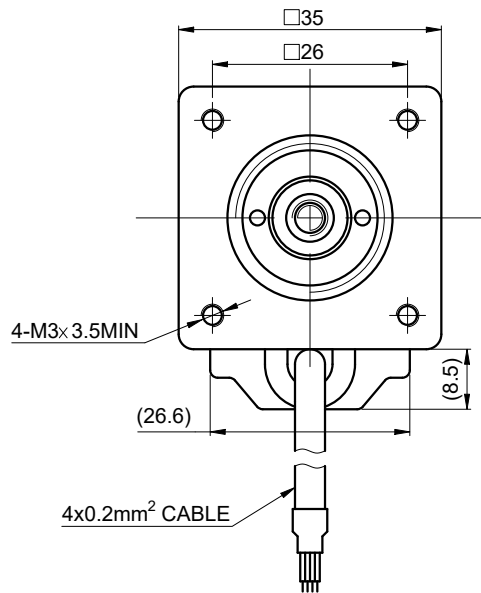


DWG NO. -

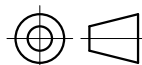


FULL STEP 2 PHASE-Ex., WHEN FACING MOUNTING END (X)

STEP	A+	B+	A-	B-		CCW
1	+	+	-	-	 	UNIT mm GB/T 1804-M EQV.ISO 2768-1 CLASS M: <=6 ±0.1 >6~30 ±0.2 >30~120 ±0.3 >120~400 ±0.5
2	-	+	+	-		
3	-	-	+	+		
4	+	-	-	+		

WINDING			CONNECTION		
			SPECIFICATION		
			AMPS/PHASE		1.50
			RESISTANCE/PHASE(Ohms)@25°C		0.95±10%
			INDUCTANCE/PHASE(mH)@1KHz		1.00±20%
			HOLDING TORQUE(Nm)[lb-in]		0.14[1.24]
			STEP ANGLE(°)		1.80
			STEP ACCURACY(NON-ACCUM)		±5.00%
PIN NO	BIPOLAR	LEADS	LEAD(mm)		
1	A+	RED	LINEAR TRAVEL/STEP(mm)		
2	A-	RED/WHT	AMBIENT TEMPERATURE		
3	B+	GRN	INSULATION CLASS		
4	B-	GRN/WHT	TEMPERATURE RISE		
			BIPOLAR		
			1.50		
			0.95±10%		
			1.00±20%		
			0.14[1.24]		
			1.80		
			±5.00%		
			2.54		
			0.0127		
			-10°C~50°C[14°F~122°F]		
			B 130°C[266°F]		
			MAX.80°C		

**OSMTEC**®  
Stepper Motor Specialists



mm

UNITS

1:1

SCALE

DRN

APVD

SIGNATURE

MYX

LDJ

DATE

1.7.2026

1.7.2026

**LINEAR STEPPER MOTOR**

**14N13S1504GF5-200RS**