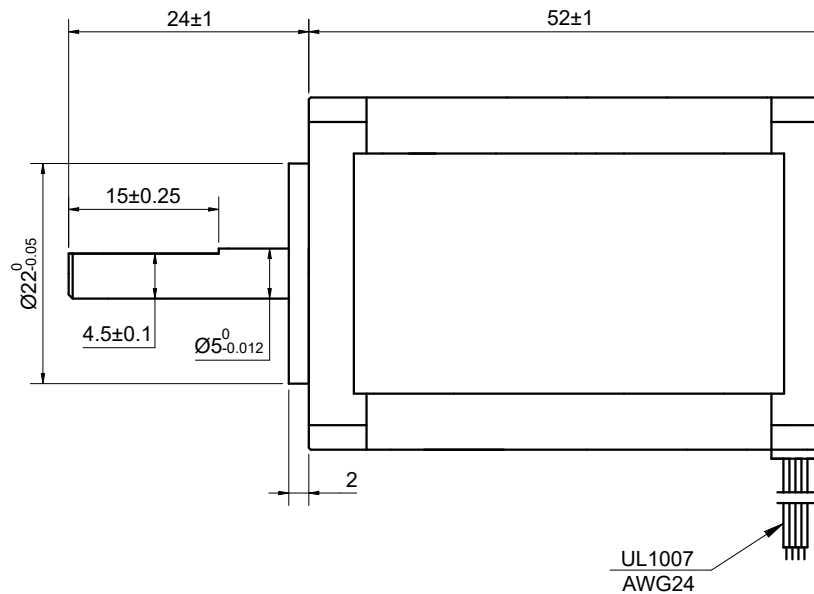
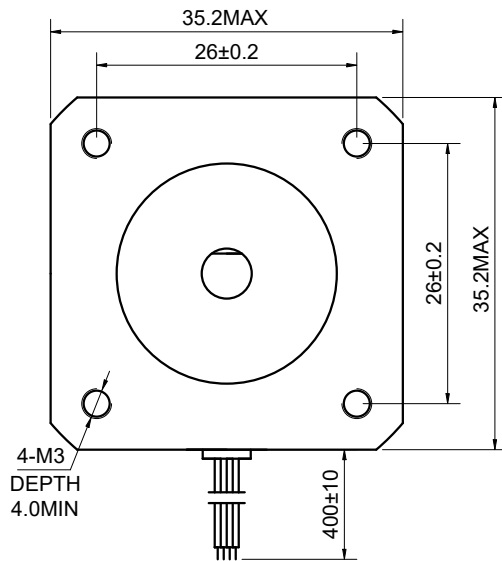


DWG NO.



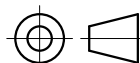
FULL STEP 2 PHASE-Ex., WHEN FACING MOUNTING END (X)

STEP	A+	B+	A-	B-		CCW
1	+	+	-	-	 CW	↑
2	-	+	+	-		
3	-	-	+	+		
4	+	-	-	+		

UNIT mm
 GB/T 1804-M EQV.ISO
 2768-1 CLASS M:
 <=6 ±0.1
 >6~30 ±0.2
 >30~120 ±0.3
 >120~400 ±0.5

WINDING			CONNECTION	BIPOLAR
			SPECIFICATION	
			AMPS/PHASE	1.50
			RESISTANCE/PHASE(Ohms)@25°C	2.80±10%
			INDUCTANCE/PHASE(mH)@1KHz	3.80±20%
			HOLDING TORQUE(Nm)[lb-in]	0.40[3.54]
			STEP ANGLE(°)	1.80
PIN NO	BIPOLAR	LEADS	STEP ACCURACY(NON-ACCUM)	±5.00%
1	A+	BLK	ROTOR INERTIA(g-cm ²)	54.00
2	A-	GRN	WEIGHT(Kg)[lb]	—
3	B+	RED	AMBIENT TEMPERATURE	-10°C~50°C[14°F~122°F]
4	B-	BLU	INSULATION CLASS	B 130°C[266°F]
			TEMPERATURE RISE	MAX.80°C

OSMTEC®
 Stepper Motor Specialists



mm

UNITS	DRN	YSX	1.12.2026
3:2	APVD	LJ	1.12.2026
SCALE	SIGNATURE	DATE	

STEPPER MOTOR

14HS20-1504S