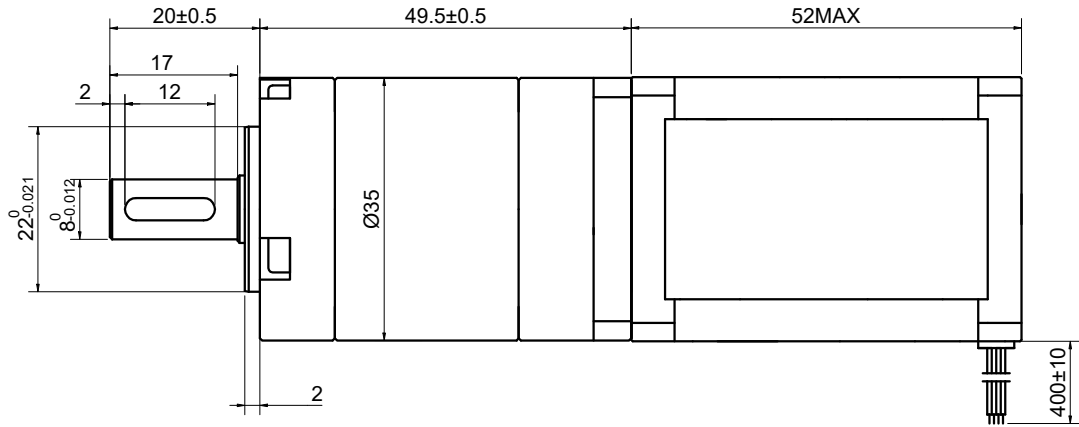
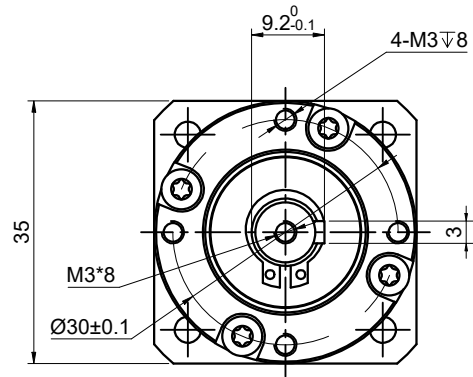


DWG NO. -



| SPECIFICATION                         | VALUE                  |
|---------------------------------------|------------------------|
| AMPS/PHASE                            | 1.50                   |
| RESISTANCE/PHASE(Ohms)@25°C           | 2.80±10%               |
| INDUCTANCE/PHASE(mH)@1KHz             | 4.80±20%               |
| HOLDING TORQUE w/o GEARBOX(Nm)[lb-in] | 0.4[3.53]              |
| GEAR RATIO                            | 20                     |
| EFFICIENCY                            | 94%                    |
| STEP ANGLE w/o GEARBOX(°)             | 1.80                   |
| BACKLASH@NO-LOAD                      | <=20arcmin             |
| MAX.PERMISSIBLE TORQUE(Nm)            | 8.50                   |
| MOMENT PERMISSIBLE TORQUE(Nm)         | 17.00                  |
| SHAFT MAXIMUM AXIAL LOAD(N)           | 100                    |
| SHAFT MAXIMUM RADIAL LOAD(N)          | 300                    |
| AMBIENT TEMPERATURE                   | -10°C~50°C[14°F~122°F] |
| INSULATION CLASS                      | B 130°C[266°F]         |
| TEMPERATURE RISE                      | MAX.80°C               |

FULL STEP 2 PHASE-Ex.,WHEN FACING MOUNTING END (X)

| STEP | A+ | B+ | A- | B- | CW | CCW |
|------|----|----|----|----|----|-----|
| 1    | +  | +  | -  | -  | ↓  | ↑   |
| 2    | -  | +  | +  | -  | ↓  | ↑   |
| 3    | -  | -  | +  | +  | ↓  | ↑   |
| 4    | +  | -  | -  | +  | ↓  | ↑   |

UNIT mm  
GB/T 1804-M EQV.ISO  
2768-1 CLASS M:  
<=6 ±0.1  
>6~30 ±0.2  
>30~120 ±0.3  
>120~400 ±0.5

MOTOR CONNECTION

| PIN NO | BIPOLAR | LEADS | A+ | A- | B+ | B- |
|--------|---------|-------|----|----|----|----|
| 1      | A+      | BLK   | ⊕  | ⊖  | ⊕  | ⊖  |
| 2      | A-      | GRN   | ⊕  | ⊖  | ⊕  | ⊖  |
| 3      | B+      | RED   | ⊕  | ⊖  | ⊕  | ⊖  |
| 4      | B-      | BLU   | ⊕  | ⊖  | ⊕  | ⊖  |

**OSMTEC**®  
Stepper Motor Specialists

| mm    |           |      |           |
|-------|-----------|------|-----------|
| UNITS | DRN       | ZPJ  | 1.13.2026 |
| 1:1   | APVD      | YSX  | 1.13.2026 |
| SCALE | SIGNATURE | DATE |           |

**GEARBOX MOTOR**  
**14HS20-1504S-EGS20**