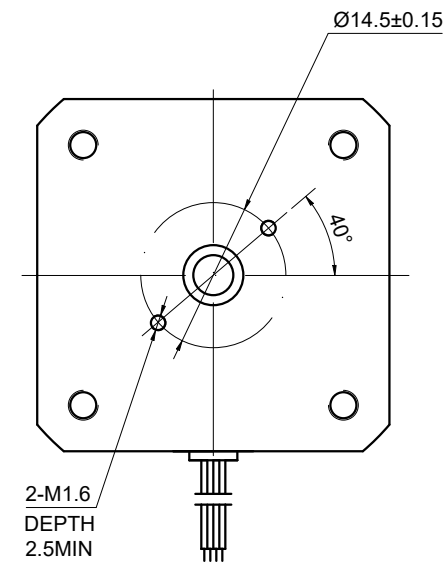
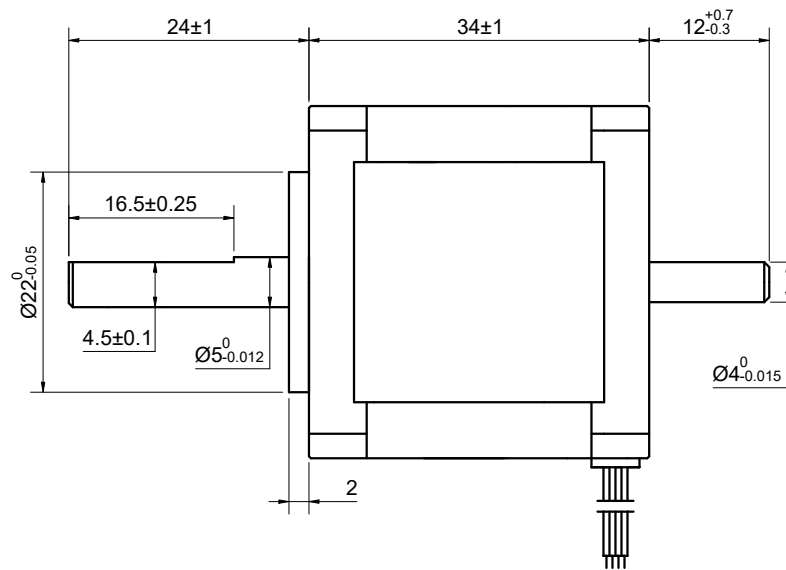
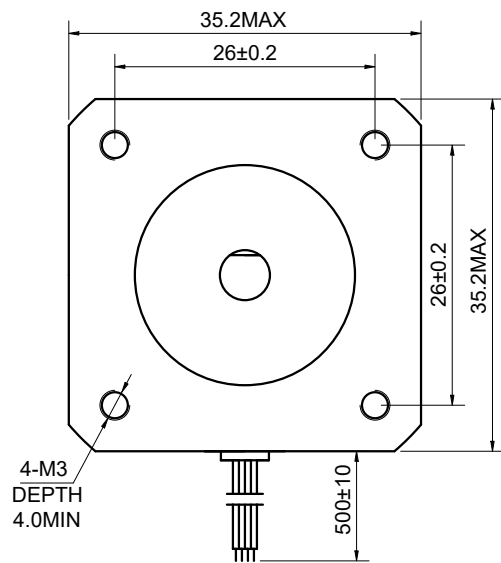


DWG NO. _____



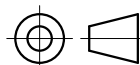
FULL STEP 2 PHASE-Ex., WHEN FACING MOUNTING END (X)

STEP	A+	B+	A-	B-		CCW
1	+	+	-	-	 	
2	-	+	+	-		
3	-	-	+	+		
4	+	-	-	+		

UNIT mm
 GB/T 1804-M EQV.ISO
 2768-1 CLASS M:
 <=6 ±0.1
 >6~30 ±0.2
 >30~120 ±0.3
 >120~400 ±0.5

WINDING			CONNECTION		BIPOLAR															
			SPECIFICATION																	
			AMPS/PHASE		0.80															
			RESISTANCE/PHASE(Ohms)@25°C		6.80±10%															
			INDUCTANCE/PHASE(mH)@1KHz		10.00±20%															
<table border="1"> <thead> <tr> <th>PIN NO</th> <th>BIPOLAR</th> <th>LEADS</th> </tr> </thead> <tbody> <tr> <td>1</td> <td>A+</td> <td>BLK</td> </tr> <tr> <td>2</td> <td>A-</td> <td>GRN</td> </tr> <tr> <td>3</td> <td>B+</td> <td>RED</td> </tr> <tr> <td>4</td> <td>B-</td> <td>BLU</td> </tr> </tbody> </table>			PIN NO	BIPOLAR	LEADS	1	A+	BLK	2	A-	GRN	3	B+	RED	4	B-	BLU	HOLDING TORQUE(Nm)[lb-in]		0.18[1.59]
			PIN NO	BIPOLAR	LEADS															
			1	A+	BLK															
			2	A-	GRN															
3	B+	RED																		
4	B-	BLU																		
STEP ANGLE(°)		1.80																		
STEP ACCURACY(NON-ACCUM)		±5.00%																		
ROTOR INERTIA(g-cm ²)		14.00																		
WEIGHT(Kg)[lb]		0.17[0.37]																		
AMBIENT TEMPERATURE		-10°C~50°C[14°F~122°F]																		
INSULATION CLASS		B 130°C[266°F]																		
TEMPERATURE RISE		MAX.80°C																		

OSMTEC®
 Stepper Motor Specialists



mm

UNITS

3:2

SCALE

DRN

APVD

SIGNATURE

YSX

LJ

DATE

1.12.2026

1.12.2026

STEPPER MOTOR

14HS13-0804D