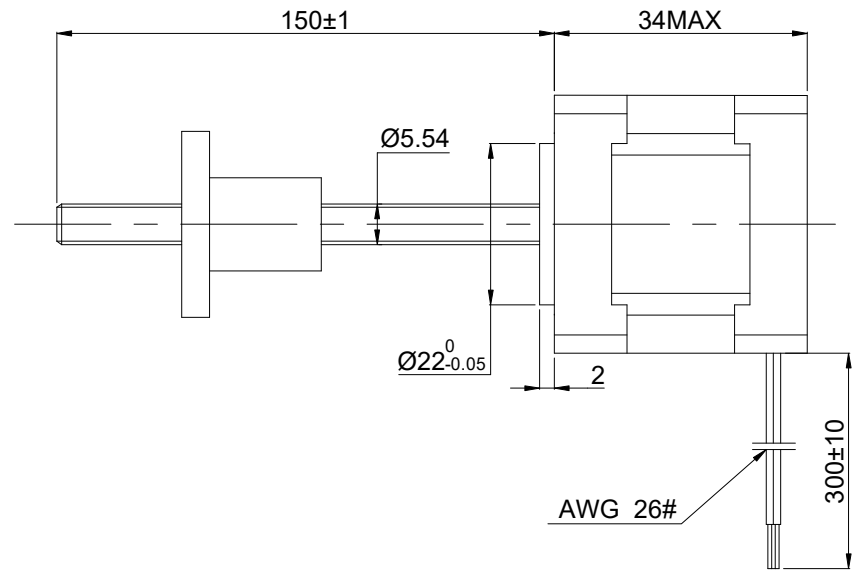
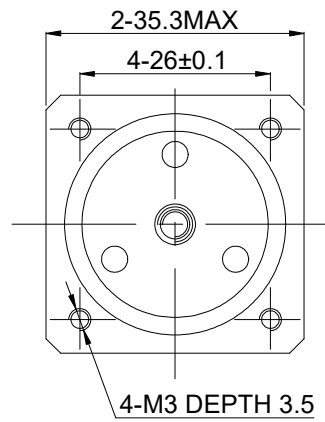
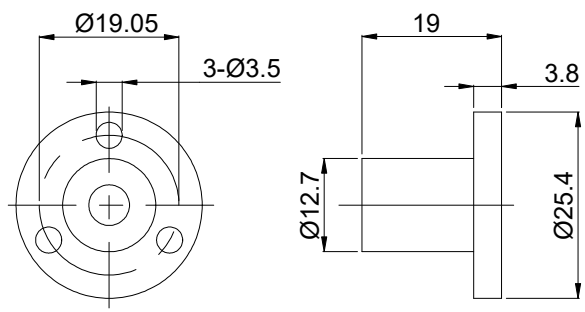


DWG NO. -

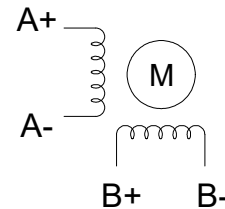


FULL STEP 2 PHASE-Ex.,WHEN FACING MOUNTING END (X)

STEP	A+	B+	A-	B-		CCW
1	+	+	-	-	↓ ↑	↑ ↓
2	-	+	+	-		
3	-	-	+	+		
4	+	-	-	+		

UNIT mm  
GB/T 1804-M EQV.ISO  
2768-1 CLASS M:  
<=6 ±0.1  
>6~30 ±0.2  
>30~120 ±0.3  
>120~400 ±0.5

WINDING

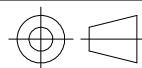


CONNECTION

SPECIFICATION	BIPOLAR
AMPS/PHASE	0.57
RESISTANCE/PHASE(Ohms)@25°C	8.80±10%
INDUCTANCE/PHASE(mH)@1KHz	13.00±20%
HOLDING TORQUE(Nm)[lb-in]	0.18[1.59]
STEP ANGLE(°)	1.80
STEP ACCURACY(NON-ACCUM)	±5.00%

PIN NO	BIPOLAR	LEADS	LEAD(mm)	2.4384
1	A+	RED	LINEAR TRAVEL/STEP(mm)	0.012192
2	A-	RED/WHT	AMBIENT TEMPERATURE	-10°C~50°C[14°F~122°F]
3	B+	GRN/WHT	INSULATION CLASS	B 130°C[266°F]
4	B-	GRN	TEMPERATURE RISE	MAX.80°C

**OSMTEC**<sup>®</sup>  
Stepper Motor Specialists



mm

UNITS	DRN	LDJ	1.16.2026
1:1	APVD	ZPJ	1.20.2026
SCALE	SIGNATURE		DATE

LINEAR STEPPER MOTOR

14E13S0574JE4-150RS