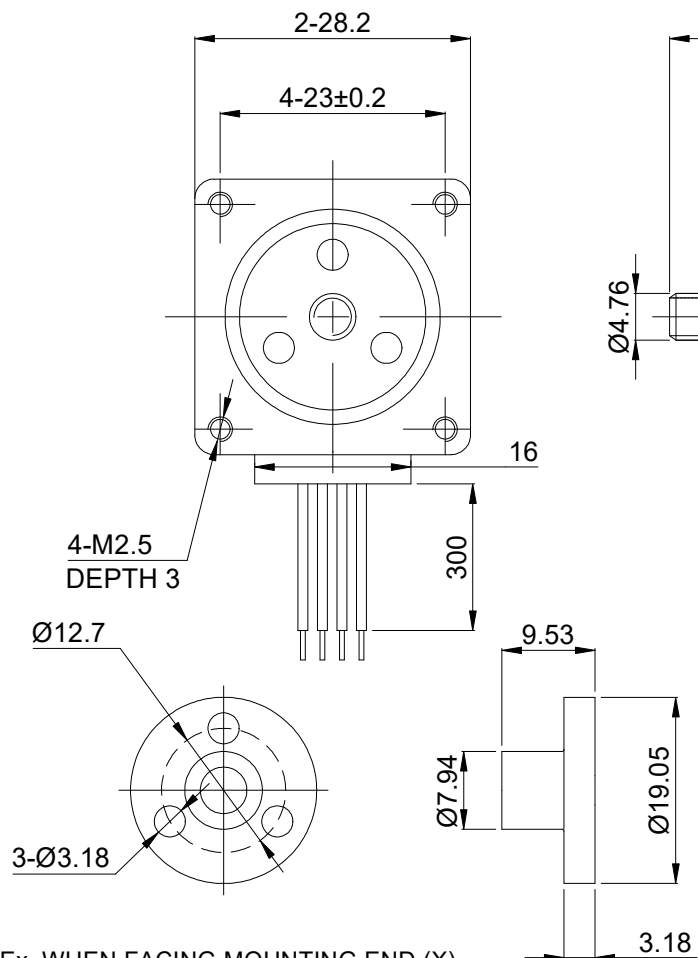


DWG NO. -

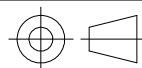


WINDING			CONNECTION		BIPOLAR
	SPECIFICATION		AMPS/PHASE		
	SPECIFICATION		RESISTANCE/PHASE(Ohms)@25°C		
	SPECIFICATION		INDUCTANCE/PHASE(mH)@1KHz		
	SPECIFICATION		MINIMAL THRUST(N)@300 PPS		
	SPECIFICATION		STEP ANGLE(°)		
	SPECIFICATION		STEP ACCURACY(NON-ACCUM)		
PIN NO	BIPOLAR	LEADS	LEAD(mm)	5.08	
1	A+	RED	LINEAR TRAVEL/STEP(mm)	0.0254	
2	A-	RED/WHT	AMBIENT TEMPERATURE	-10°C~50°C[14°F~122°F]	
3	B+	GRN/WHT	INSULATION CLASS	B 130°C[266°F]	
4	B-	GRN	TEMPERATURE RISE	MAX.80°C	

FULL STEP 2 PHASE-Ex.,WHEN FACING MOUNTING END (X)

STEP	A+	B+	A-	B-		CCW
1	+	+	-	-		UNIT mm GB/T 1804-M EQV.ISO 2768-1 CLASS M: <=6 ±0.1 >6~30 ±0.2 >30~120 ±0.3 >120~400 ±0.5
2	-	+	+	-		
3	-	-	+	+		
4	+	-	-	+		

OSMTEC[®]
Stepper Motor Specialists



mm

UNITS

3:2

SCALE

DRN

APVD

SIGNATURE

LDJ

ZPJ

DATE

1.16.2026

1.20.2026

LINEAR STEPPER MOTOR

11E18S0754HD5-250RS